



UrbanPond[®] Concrete Stormwater Detention



The experts you need to solve your stormwater challenges



Contech is the leader in stormwater solutions, helping engineers, contractors and owners with infrastructure and land development projects throughout North America.

With our responsive team of stormwater experts, local regulatory expertise and flexible solutions, Contech is the trusted partner you can count on for stormwater management solutions.

Your Contech Team



STORMWATER CONSULTANT

It's my job to recommend the best solution to meet permitting requirements.



STORMWATER DESIGN ENGINEER

I work with consultants to design the best approved solution to meet your project's needs.



REGULATORY MANAGER

I understand the local stormwater regulations and what solutions will be approved.



SALES ENGINEER

I make sure our solutions meet the needs of the contractor during construction.

Contech is your partner in stormwater management solutions



Innovative Concrete Stormwater Detention – UrbanPond®

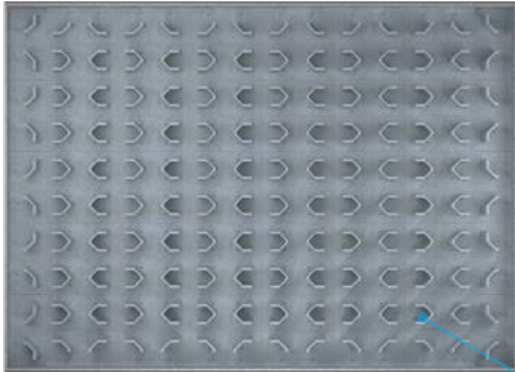
UrbanPond is a modular precast concrete underground storage system that mimics the function of ponds and open detention basins. UrbanPond can be utilized for runoff reduction, recharging groundwater, or optimizing a water quality system. Package with Contech's best-in-class treatment products to provide a complete stormwater solution for your site.

UrbanPond is comprised of interior modules along with perimeter modules or perimeter wall panels to enclose the system. Inside heights ranging from 3' to 14' in 6" increments give designers more versatility to accommodate dense development, urban infill, or larger high-volume projects. The modular design can be placed under roadways, parking lots and landscape areas in various shapes, sizes, and depths.

UrbanPond, a traffic-rated underground stormwater storage system, is designed and produced with considerations such as height of cover, live and dead loads, proximity to adjacent structures, and required detention volume.

UrbanPond is available in select regions. Please contact your local Stormwater Consultant for details.

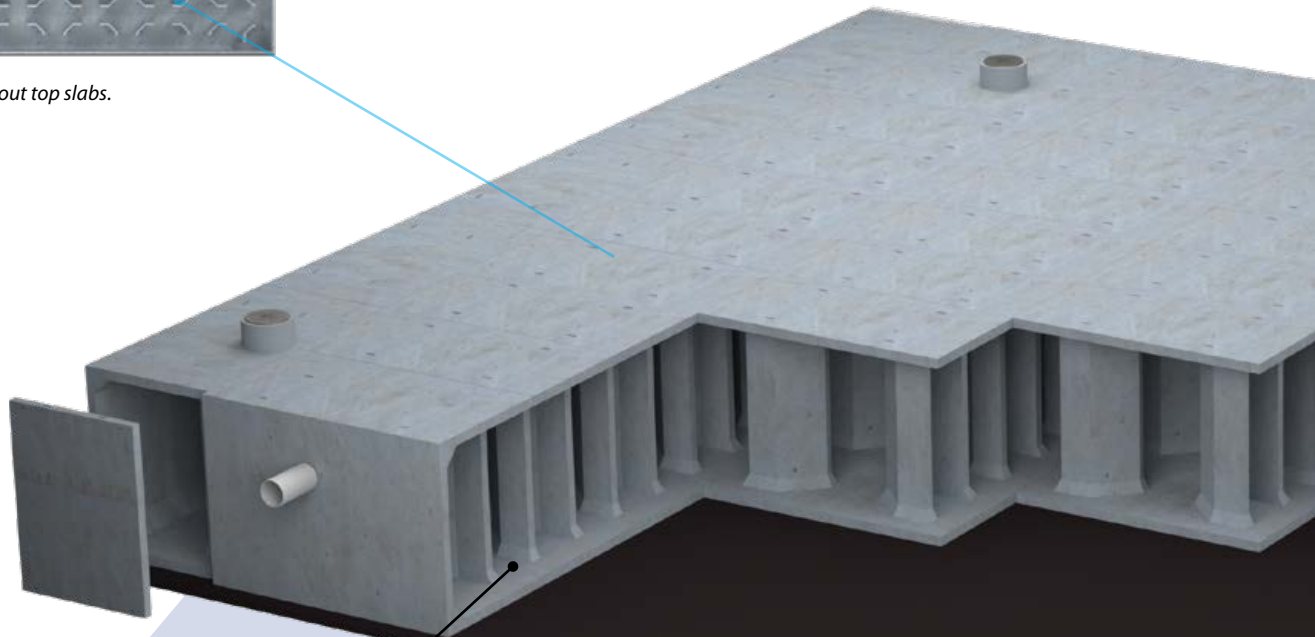
UrbanPond® Configuration



8' x 16' Module Assembly

The UrbanPond structure benefits from repeating tessellated shapes. The offset leg configuration of the modules creates an open, channel-less internal space. Minimal types of modules allows for easier design and contractor installation.

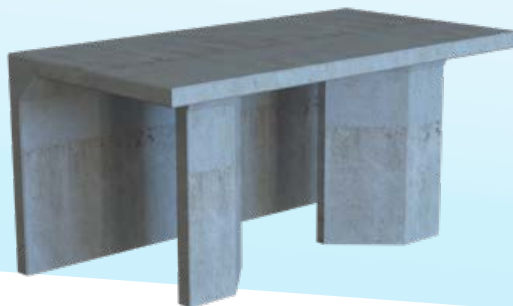
Top view without top slabs.



Inflow Pipe



Interior



Perimeter

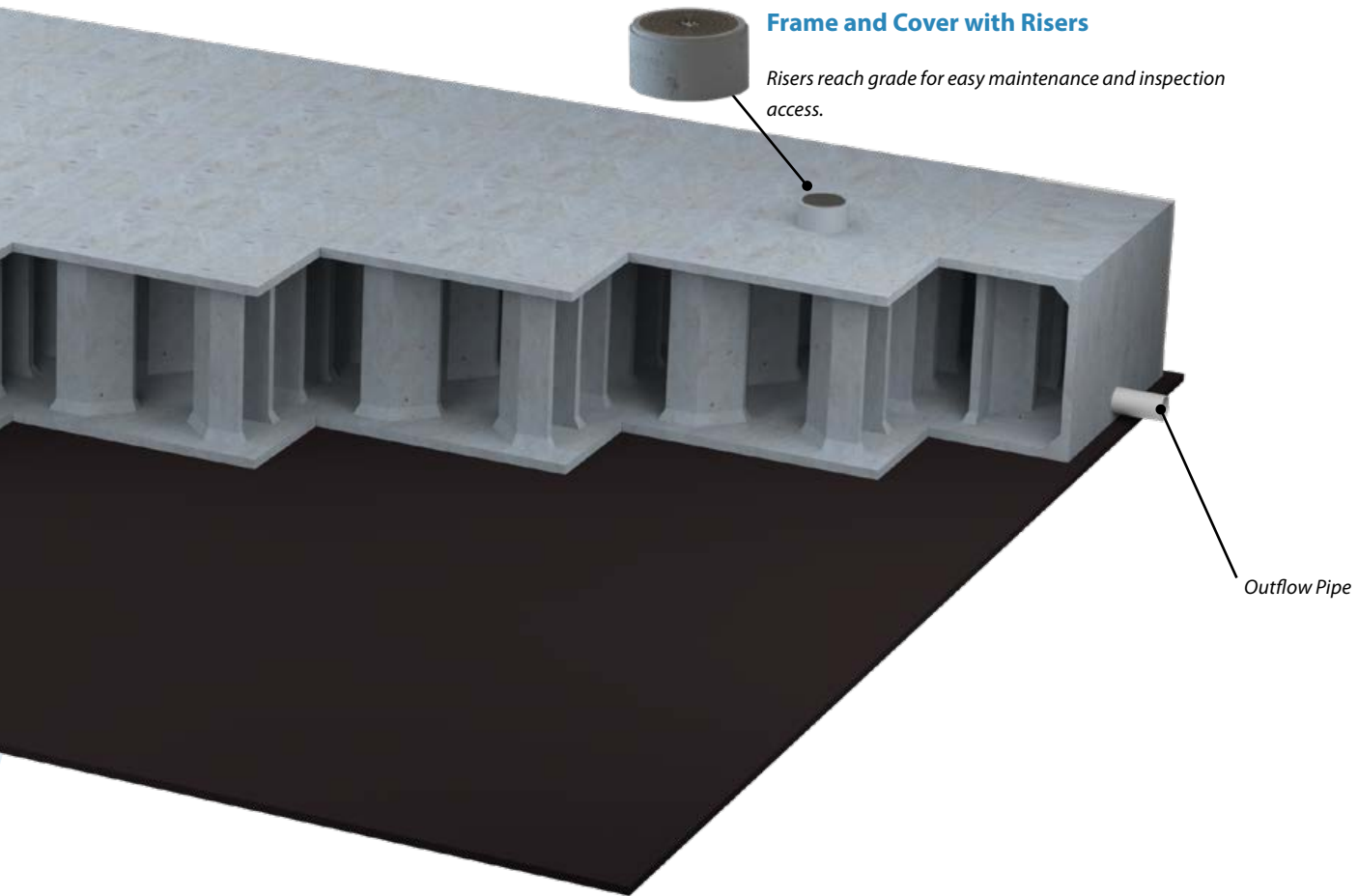
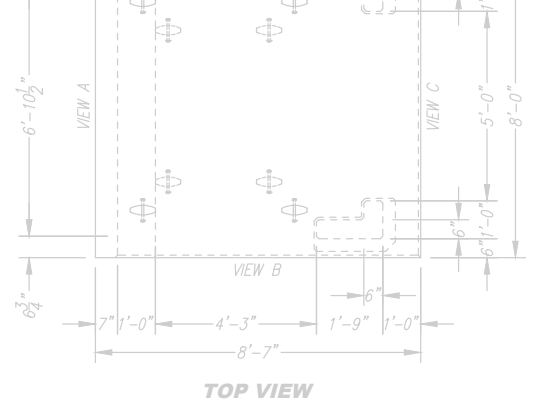


Interior Stacked



Perimeter Wall Panel

Superior strength and load capacity



Can be placed on stone or poured-in-place slab depending on application.

UrbanPond® Features and Benefits

FEATURE	BENEFIT
Footprint reduction	Design flexibility while maximizing storage space
Optional built-in orifice control riser	Slowly discharges captured runoff to keep your site in compliance with local regulations
Designed to meet HS-20 and HS-25 loading requirements	Superior strength & load capacity
Minimum cover of only 12"	Maximizes available depth
Mono on stone application	Eliminates the need for a poured-in-place slab under certain conditions



APPLICATION TIPS

- Best practice designs for subsurface infiltration include pretreatment to reduce cost and frequency of maintenance while ensuring the infiltration capacity of the facility.

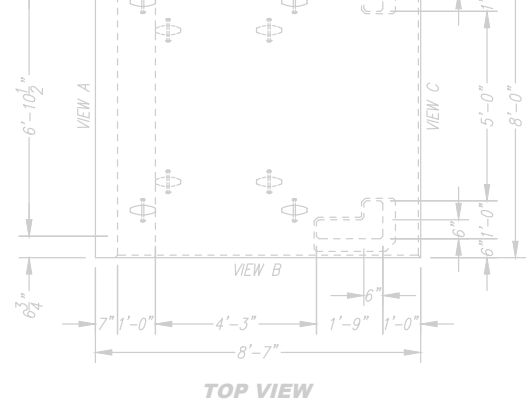
UrbanPond® System Sizing

UrbanPond modules are available with inside heights ranging from 3 feet to 7 feet, in 6-inch increments, and the stacked UrbanPond modules are stackable up to 14 feet.

URBAN POND INSIDE HEIGHT (FT)	8' X 16' INTERIOR MODULE STORAGE VOLUME (CF)	8' X 16' PERIMETER MODULE STORAGE VOLUME (CF)	8' X 8' PERIMETER MODULE STORAGE VOLUME (CF)
3	356	360	180
4	475	484	242
5	595	607	304
6	714	730	366
7	834	854	428
8	950		
9	1070		
10	1190		
11	1310		
12	1428		
13	1548		
14	1668		

A breakthrough system for underground storage management

UrbanPond® Applications



Detention/Retention

Detention with controlled discharge utilizing built-in outlet orifice structures. Retention for long-term storage of runoff onsite to meet strict stormwater requirements.

Flood Control

Flood Control of peak storm events to minimize downstream flooding and erosion.

Infiltration Galleries

UrbanPond infiltration galleries are designed to maximize the transfer of water for percolation into native soils and groundwater recharge. The features include 30" diameter infiltration openings in each module.

Treatment Train Design Options

The example shows an upstream CDS® to treat large flows, and capture trash, debris, and suspended solids, as well as hydrocarbons. The Modular Wetlands Linear is downstream, and the only biofiltration product that can be placed downstream of a detention system.



UrbanPond® Maintenance

UrbanPond is designed to be maintained from the finished surface via a vacuum truck. Access ports are strategically placed throughout the system to facilitate maintenance. Modules can be modified to act as clear wells or pretreatment chambers for capturing trash, debris, and sediment. This consolidates maintenance requirements to a select few modules. Standard manholes, hinged manholes, and other access hatches are available.



UrbanPond® systems are designed with multiple port locations for easy maintenance.

A partner you can rely on



STORMWATER
SOLUTIONS



PIPE
SOLUTIONS



STRUCTURES
SOLUTIONS

Few companies offer the wide range of high-quality stormwater resources you can find with us — state-of-the-art products, decades of expertise, and all the maintenance support you need to operate your system cost-effectively.

MANUFACTURING AMERICA'S INFRASTRUCTURE™

We manufacture engineered solutions for complex civil infrastructure challenges and create lasting value for project stakeholders through unrivaled expertise, support and workmanship.

To us, it's about being a trusted partner for project owners, engineers and customers while doing meaningful work that helps build our communities.

TAKE THE NEXT STEP

For more information: www.ContechES.com

NOTHING IN THIS CATALOG SHOULD BE CONSTRUED AS A WARRANTY. APPLICATIONS SUGGESTED HEREIN ARE DESCRIBED ONLY TO HELP READERS MAKE THEIR OWN EVALUATIONS AND DECISIONS, AND ARE NEITHER GUARANTEES NOR WARRANTIES OF SUITABILITY FOR ANY APPLICATION. CONTECH MAKES NO WARRANTY WHATSOEVER, EXPRESS OR IMPLIED, RELATED TO THE APPLICATIONS, MATERIALS, COATINGS, OR PRODUCTS DISCUSSED HEREIN. ALL IMPLIED WARRANTIES OF MERCHANTABILITY AND ALL IMPLIED WARRANTIES OF FITNESS FOR ANY PARTICULAR PURPOSE ARE DISCLAIMED BY CONTECH. SEE CONTECH'S CONDITIONS OF SALE (AVAILABLE AT WWW.CONTECHES.COM/COS) FOR MORE INFORMATION.

CONTECH[®]
ENGINEERED SOLUTIONS
A QUIKRETE[®] COMPANY

Get social with us:    
800-338-1122 | www.ContechES.com