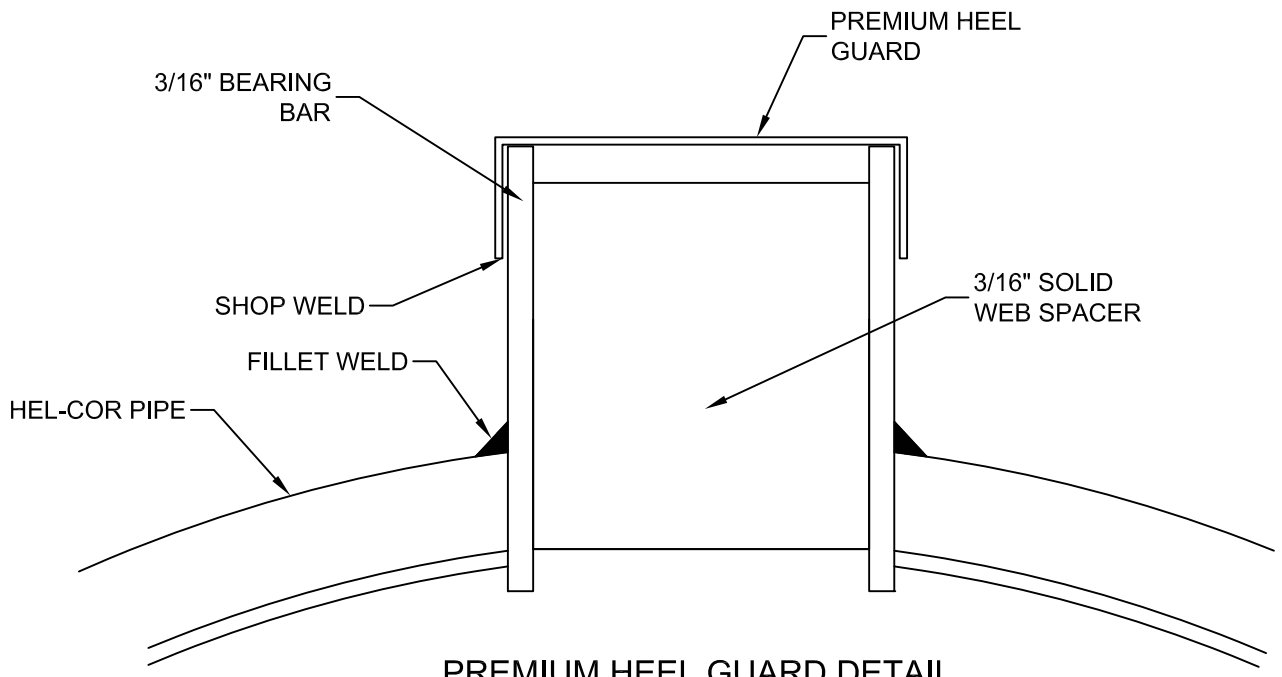
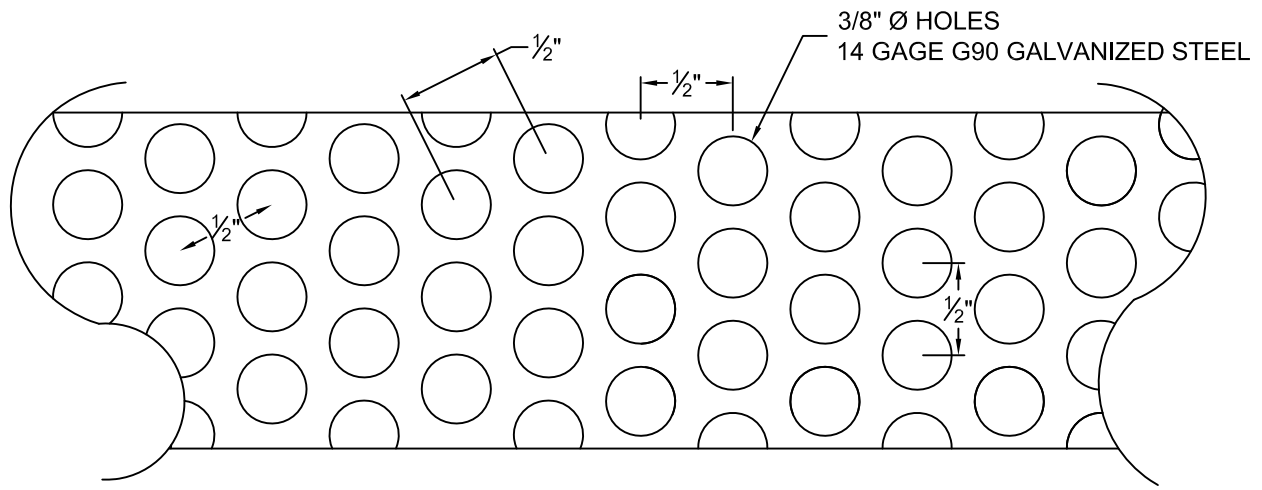


I:\AD\CONTECH-CPI\COM\ROOT\CORPORATE\MARKET\RAINAGE SOLUTIONS\ACAD\DATA\RAINAGE DETAIL\S\SLOTTED DRAIN\DWG\PREMIUM HEEL GUARD DETAIL (STRAIGHT GRATE).DWG 4/14/2015 12:08 PM



PREMIUM HEEL GUARD DETAIL
STRAIGHT GRATE
(NTS)



PREMIUM HEEL GUARD DETAIL
(NTS)

NOTE: ALL DIMENSIONS ARE SUBJECT TO MANUFACTURING TOLERANCES



www.conteches.com
8301 State Highway 29 North, Alexandria, MN 56308
800-328-2047 320-852-7500 320-852-7067 FAX

PREMIUM HEEL GUARD
STRAIGHT GRATE
STANDARD DETAIL

DATE: 4/14/2015	SCALE: NONE	PROJECT No.: STD DTL	SEQ. No.: ---	DRAWN: JAP	CHECKED: BDH
-----------------	-------------	----------------------	---------------	------------	--------------