

CONTECH[®]
ENGINEERED SOLUTIONS

TRUSS PIPE[®]
200 PSI Pipe Stiffness

CONTECH[®]
PIPE SOLUTIONS

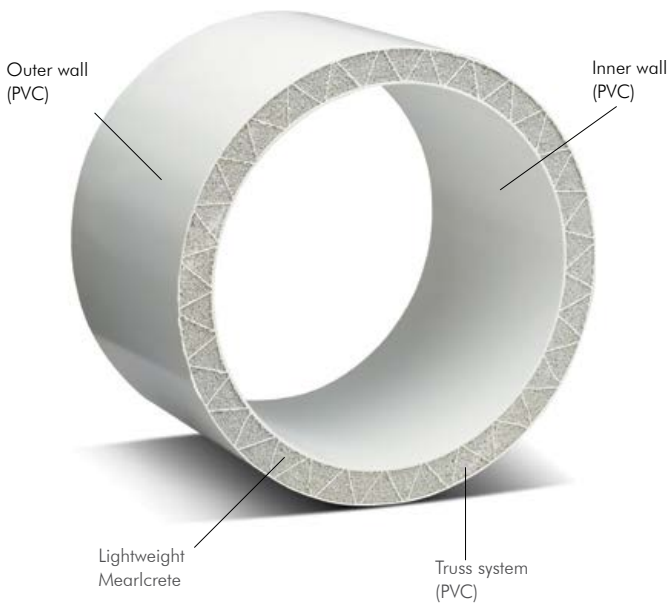
Proven Performance

The choice of experience

The first installation of Contech® TRUSS PIPE® was in November 1963 at Huntington, WV. With more than 55 years of successful in-service use and hundreds of millions of feet installed, TRUSS PIPE is the unchallenged performer. No other thermoplastic gravity sewer pipe offers the same degree of proven in-ground performance. Its strength, stiffness, joint tightness, durability and economy have made TRUSS PIPE the choice for engineers, specifiers, community officials and contractors.

PVC composite design

Designed for sanitary sewer applications, Contech TRUSS PIPE is a thermoplastic composite pipe available in 8", 10", 12" and 15" diameters. The unique, semi-rigid wall design consists of a double-wall system with concentric inner and outer walls braced by a truss-type structure. The truss voids are filled with lightweight Mearlcrete for additional stiffness and compressive strength. Its 200 psi minimum pipe stiffness provides unparalleled deflection control among thermoplastic gravity sewer pipe.



Durability

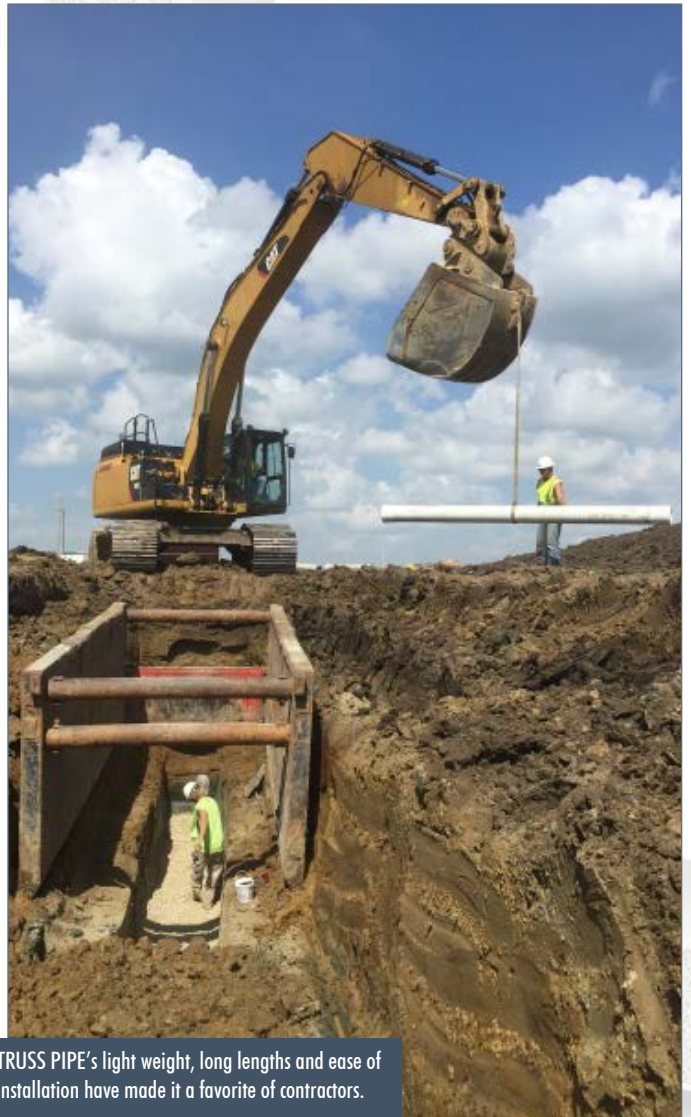
The wall and the truss structure are formed in a seamless, single thermoplastic extrusion of PVC providing excellent resistance to chemicals normally found in sanitary systems—including acids, alkalis and salts.

Joint Tightness

TRUSS PIPE's watertight joints result in extremely low infiltration rates. You can choose either gasketed joints (PVC), meeting the performance requirements of ASTM D 3212 or solvent-welded joints (PVC), meeting the requirements of ASTM D 2680, Section 10.4.1. Additionally, the high stiffness pipe design minimizes deflection at pipe joints, preventing ground water infiltration.

Hydraulics

High pipe stiffness and excellent beam strength keep TRUSS PIPE straight and round, reducing stoppages. Its glossy smooth interior with a Manning's "n" value of 0.009 reduces internal flow resistance.



TRUSS PIPE's light weight, long lengths and ease of installation have made it a favorite of contractors.

Superior Structural Performance

Design Concept

TRUSS PIPE's unique design concept addresses the need for an extra measure of pipe stiffness while retaining enough flexibility to compensate for trench loading variations encountered in actual field conditions.

One major problem with rigid pipe materials is rupturing when subjected to non-uniform loadings. Rigid pipe materials lack the ability to adjust to trench load variations without fracturing.

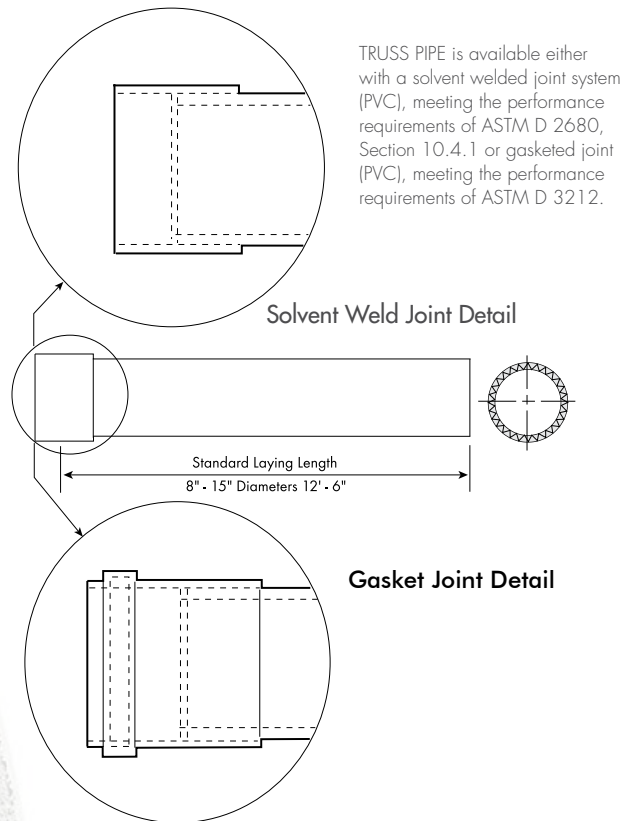
TRUSS PIPE combines PVC plastic with lightweight Mearlcrete to create a semi-rigid pipe. This combination of high stiffness with flexibility has distinct advantages in resisting variable loads while maintaining shape control.

Balanced Design

Given the unforeseeable nature of actual site conditions that create variable loadings, consider how much pipe stiffness is actually required. Adequate stiffness is necessary for round and straight sewer line installation, yet enough flexibility is needed to withstand trench load conditions without damage. A unique advantage of the balanced design approach is TRUSS PIPE's 200 psi pipe stiffness.

PIPE STIFFNESS COMPARISON

PVC Pipe Type	ASTM Specification	Pipe Stiffness
TRUSS PIPE®	D 2680	200 psi
SDR 26	D 3034	115 psi
SDR 35	D 3034	46 psi



TRUSS PIPE is available either with a solvent welded joint system (PVC), meeting the performance requirements of ASTM D 2680, Section 10.4.1 or gasketed joint (PVC), meeting the performance requirements of ASTM D 3212.

Owner Benefits

TRUSS PIPE's minimal level of deflection improves hydraulic capacity and allows unobstructed mechanical cleaning. It can be installed in variable trench conditions to more than 40 feet and withstand H 20 live loading with less than one foot of cover. Future tap-ins to the system are accomplished more easily because TRUSS PIPE eliminates the problem of mismatched saddle/pipe curvatures. And, tight pipe joints are ensured, preventing ground water infiltration and soil migration.

TRUSS PIPE PROPERTIES

Nominal Diameter (in)	Approximate O.D. (in)	Approximate Weight (lbs/ft)
8	9.4	7
10	11.8	9
12	14.1	14
15	17.7	23

The pipe stiffness of TRUSS PIPE® is far greater than other gravity sewer pipes on the market. This high pipe stiffness provides assurance that the utility contractor will pass a pipe deflection test after installation.

CONTECH[®]

ENGINEERED SOLUTIONS

Contech[®] Engineered Solutions provides innovative, cost-effective site solutions to engineers, contractors and developers on projects across North America. Our portfolio includes bridges, drainage, erosion control, retaining wall, sanitary sewer and stormwater management products.



STORMWATER
SOLUTIONS



PIPE
SOLUTIONS



STRUCTURE
SOLUTIONS

For more information call:

Corporate Office - Ohio (Cincinnati)	513-645-7000
California (Roseville)	800-548-4667
Colorado (Denver)	720-587-2700
Florida (Orlando)	321-348-3520
Maine (Scarborough)	207-885-9830
Maryland (Baltimore)	410-740-8490
Oregon (Portland)	503-258-3180
Texas (Dallas)	972-590-2000

www.ContechES.com | 800-338-1122

NOTHING IN THIS CATALOG SHOULD BE CONSTRUED AS A WARRANTY. APPLICATIONS SUGGESTED HEREIN ARE DESCRIBED ONLY TO HELP READERS MAKE THEIR OWN EVALUATIONS AND DECISIONS, AND ARE NEITHER GUARANTEES NOR WARRANTIES OF SUITABILITY FOR ANY APPLICATION. CONTECH MAKES NO WARRANTY WHATSOEVER, EXPRESS OR IMPLIED, RELATED TO THE APPLICATIONS, MATERIALS, COATINGS, OR PRODUCTS DISCUSSED HEREIN. ALL IMPLIED WARRANTIES OF MERCHANTABILITY AND ALL IMPLIED WARRANTIES OF FITNESS FOR ANY PARTICULAR PURPOSE ARE DISCLAIMED BY CONTECH. SEE CONTECH'S CONDITIONS OF SALE (AVAILABLE AT WWW.CONTECHES.COM/COS) FOR MORE INFORMATION.

© 2019 Contech Engineered Solutions LLC, a QUIKRETE Company
All rights reserved. Printed in USA.



TRUSS PIPE Bro 8/17 3M MC