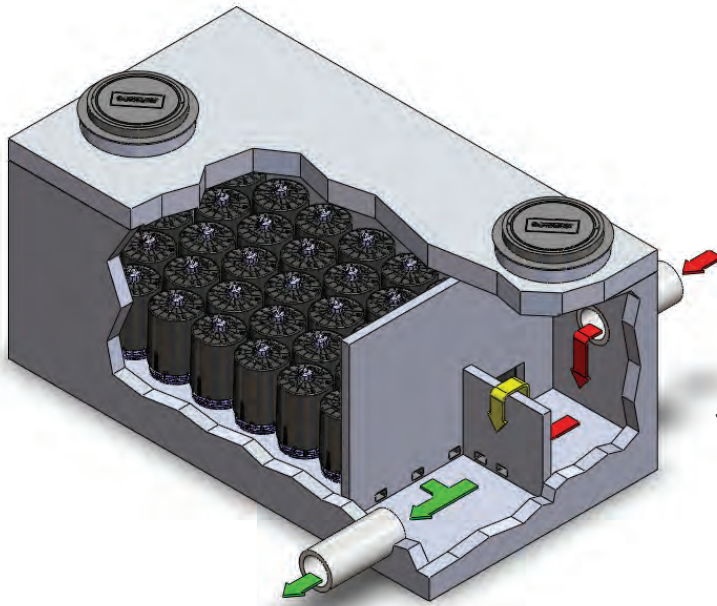


Peak Diversion StormFilter

Approved by NJ DEP



As of Sept 1, 2010, NJ DEP has accepted a new Peak Diversion configuration of the Contech® Stormwater Management StormFilter®.



Contech's Peak Diversion StormFilter is a combination of a bypass structure and filtration in *one unit* offering the most compact design.

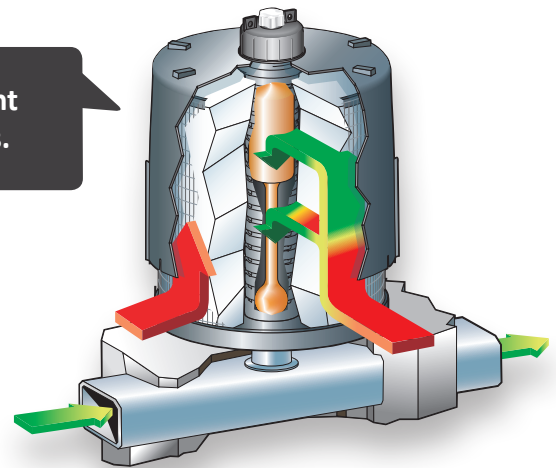
The Peak Diversion StormFilter is offered in *6* different sizes that are capable of handling up to *38* cartridges.

The use of the Peak Diversion structure *eliminates*

- * The use of an external bypass structure,
- * Downstream junction manhole, and
- * The interconnecting conveyance piping.

This design will *save* the installing contractor

- * Excavation cost,
- * Installation cost associated with traditional bypass configuration, and
- * TIME.



www.contechES.com

CONTECH
ENGINEERED SOLUTIONS

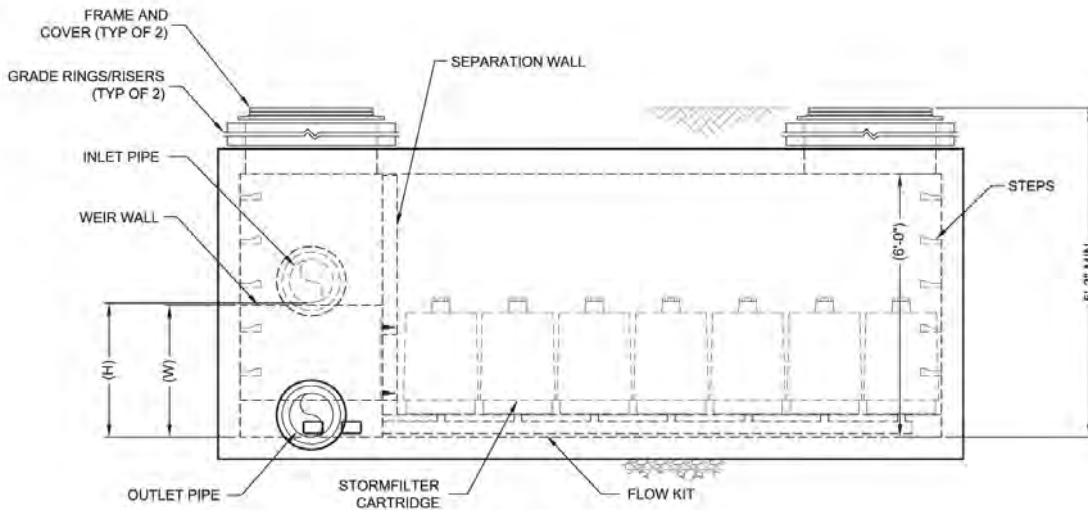
Peak Diversion StormFilter

Benefits

Here are just some of the *benefits* of the Peak Diversion StormFilter:

* *Reduced footprint*

* *Customizable design accommodates multiple inlets, grated inlets, a wide range of treated flowrate, and bypass capacity*



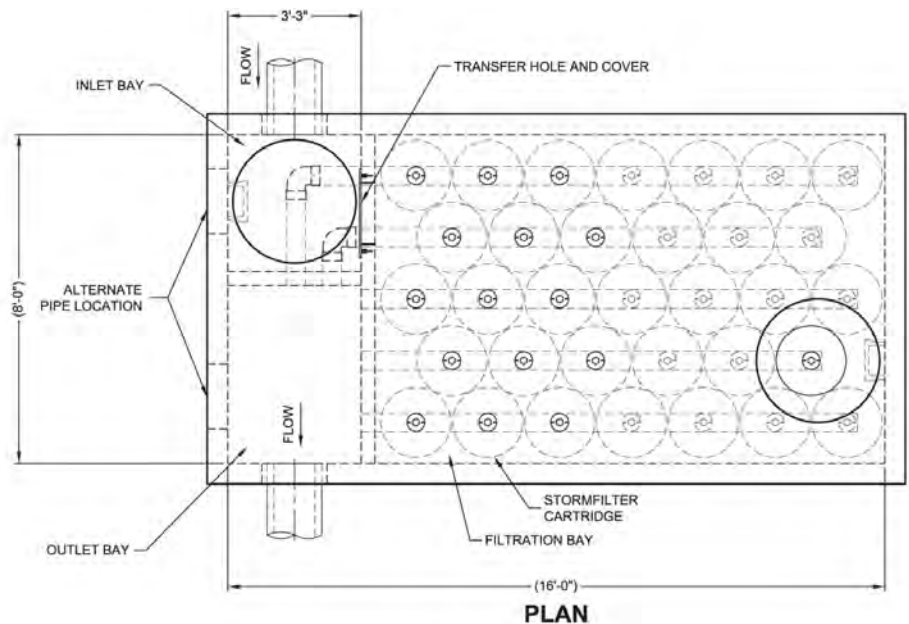
ELEVATION

* *Contech's design support for the product is the best in the industry*

* *Can be used in a flow based design or a volume based design*

* *Site specific designed bypass weir to meet New Jersey treatment flowrate and bypass any additional flow*

* *Unobstructed access to all chambers of system for maintenance activities*



PLAN

www.ContechES.com

CONTECH
ENGINEERED SOLUTIONS