

# Horizon® Rolled Girder Bridges



Steadfast's Horizon rolled girder bridges are cost-effective, time-tested solutions for short clear span applications. Prefabricated bridge elements have proven benefits including: minimized traffic disruption, reduced environmental impacts, and accelerated bridge construction (ABC).



- ABC results in reduced construction cost
- Bolted field connections
- Designed in accordance with AASHTO LRFD
- Clear spans to 120'
- Self-weathering, galvanized, painted steel or duplex TrussCoat™ finish options
- Wide range of guide rail options
- Asphalt, bridge plank, CIP concrete, or steel grate deck options
- Accommodates skewed alignments



- Advanced/Major Bridge Certified
- Fracture Critical
- Sophisticated Paint Endorsement



Get Social With Us!



**CONTECH**  
ENGINEERED SOLUTIONS

www.ContechES.com | 800-338-1122

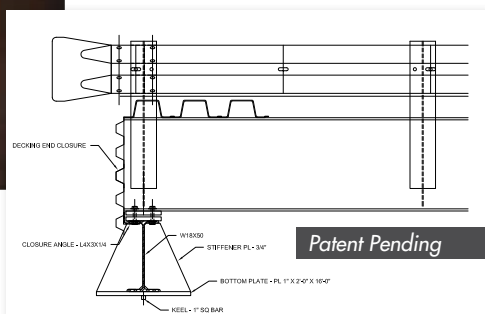
# QUIK-SPAN™ Modular Rolled Girder Bridges



QUIK-SPAN rolled girder bridges are pre-engineered, standardized, pre-fabricated modules that provide same-day installation and service.



- Two-section modular design
- 14' and 18' widths available
- Stock lengths from 30' to 60' in 5' increments
- 30' - 50' bridges delivered on a single truck
- Bolted field connections
- Structural, galvanized steel bridge plank deck
- W-Beam guard rails
- Self-weathering or galvanized steel
- AASHTO LRFD, HL93 and E-80 design
- Quick erection, installation, relocation
- AISC certified for Advanced Major Bridge, fracture critical and sophisticated paint endorsements, and AVVS certified welding fabricator
- Prefabricated Quik-Sill™ available



**QUIK-SILL™**

Get Social With Us!



**CONTECH**  
ENGINEERED SOLUTIONS

www.ContechES.com | 800-338-1122