

# INSTALLATION GUIDELINES

## FOR LANDLOK® ECBs

### BEFORE YOU BEGIN

Thank you for purchasing high quality Landlok® Erosion Control Blankets (ECBs) from Propex. We're committed to offering the best erosion control blankets in the industry.

It is important to follow these installation guidelines for a successful project. (Note: Construction shall be performed in accordance with the specific project bid documents, construction drawings and specifications.)

### SITE PREPARATION

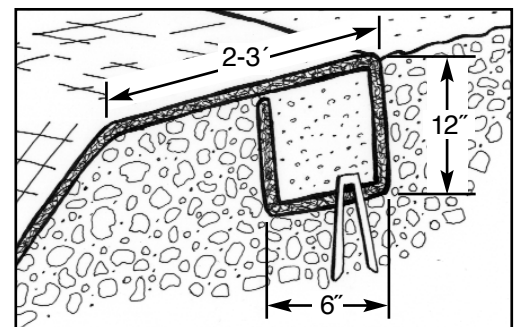
- ▶ Grade and compact area of ECB installation as directed and approved by Engineer. Subgrade shall be uniform and smooth. Remove all rocks, clods, vegetation or other objects so the installed blanket will have direct contact with soil surface.
- ▶ Prepare seedbed by loosening the top 2-3 in (50-75 mm) minimum of soil.
- ▶ Incorporate amendments such as lime and fertilizer and/or wet the soil, if needed.
- ▶ Do not mulch areas where blanket is to be placed.

### SEEDING

- ▶ Apply seed to soil surface before installing blanket. Disturbed areas shall be reseeded.
- ▶ Consult project plans and/or specifications for seed types and application rates.

### INSTALLATION ON SOIL SLOPES

- ▶ Excavate a 12 x 6 in (300 x 150 mm) minimum longitudinal anchor trench 2-3 ft (600-900 mm) over crest of slope (see Figure 1).
- ▶ Install top end of blanket into trench and secure to bottom of trench using ground anchoring devices spaced every 12 in (300 mm) minimum. Backfill and compact soil into trench.
- ▶ Unroll blanket down slope. Landlok® S1 should have net on top. Landlok CS2 should have black net on top.



**FIGURE 1** Longitudinal anchor trench at top of slope

- ▶ Overlaps of adjacent rolls shall be 3 in (75 mm) minimum and anchor every 18 in (450 mm) minimum along the overlap. Secure using ground anchoring devices at the appropriate frequency and pattern shown below. Overlaps are shingled away from prevailing winds (see Figure 2).
- ▶ Unroll blanket in a manner to maintain direct contact with soil. Do not pull blanket taut. Secure blanket to ground surface using anchoring devices.
- ▶ Excavate a 12 x 6 in (300 x 150 mm) minimum anchor trench at toe of slope (see Figure 3).
- ▶ Install bottom end of blanket into trench and secure to bottom of trench using ground anchoring devices spaced every 12 in (300 mm) minimum. Backfill and compact soil in trench (see Figure 3).
- ▶ Irrigate as necessary to establish/maintain vegetation. Do not over-irrigate.

### GROUND ANCHORING DEVICES

- ▶ U-shaped wire staples or metal geotextile pins can be used to anchor blanket to the ground surface. Wire staples should be a minimum thickness of 8 gauge (4.3 mm). Metal pins should be at least 0.20 in (5 mm) diameter steel with a 1 1/2 in (38 mm) steel washer at the head of the pin. Wire staples and metal pins should be driven flush to the soil surface. All anchors should be between 6-18 in (150-450 mm) long and have sufficient ground penetration to resist pullout. Longer anchors may be required for loose soils. Heavier metal stakes may be required in rocky soils.

### ANCHOR PATTERN GUIDE

- ▶ The shaded areas in the diagram provide anchor suggestions based on slope gradient and/or anticipated flow conditions. When the correct number of anchors has been evaluated, refer to the three illustrations below to establish anchor pattern. Increased anchoring may be required depending upon site conditions.

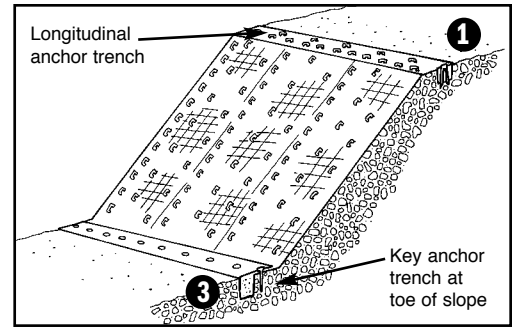
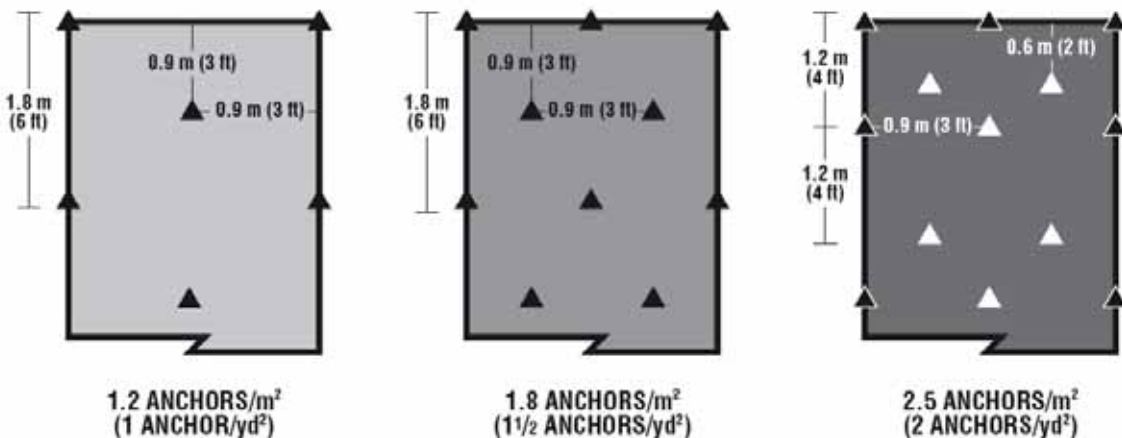


FIGURE 2 Erosion Control Blanket on slope

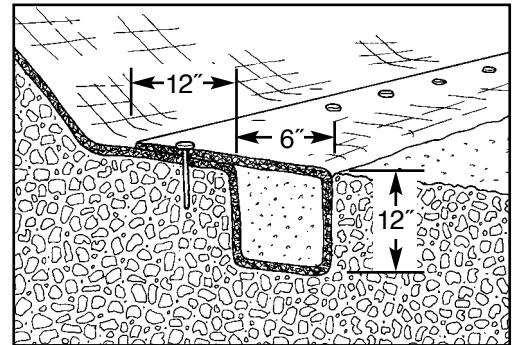
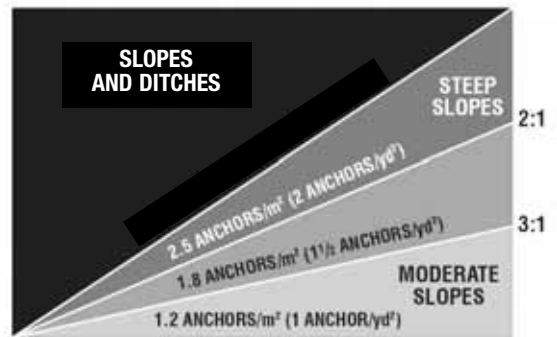


FIGURE 3 Key anchor trench at toe of slope (mat)



**PROPEX**  
GEOSYNTHETICS

THE ADVANTAGE CREATORS.™

Propex Inc.  
6025 Lee Highway, Suite 425  
PO Box 22788  
Chattanooga, TN 37422

PH: 423 899 0444  
PH: 800 621 1273  
FAX: 423 899 7619  
www.geotextile.com

Geotex®, Landlok®, Pyramat®, X3®, SuperGro®, Petromat® and Petrotac® are registered trademarks of Propex Inc.

THIS PUBLICATION SHOULD NOT BE CONSTRUED AS ENGINEERING ADVICE. WHILE INFORMATION CONTAINED IN THIS PUBLICATION IS ACCURATE TO THE BEST OF OUR KNOWLEDGE, PROPEX DOES NOT WARRANT ITS ACCURACY OR COMPLETENESS. THE ULTIMATE CUSTOMER AND USER OF THE PRODUCTS SHOULD ASSUME SOLE RESPONSIBILITY FOR THE FINAL DETERMINATION OF THE SUITABILITY OF THE INFORMATION AND THE PRODUCTS FOR THE CONTEMPLATED AND ACTUAL USE. THE ONLY WARRANTY MADE BY PROPEX FOR ITS PRODUCTS IS SET FORTH IN OUR PRODUCT DATA SHEETS FOR THE PRODUCT, OR SUCH OTHER WRITTEN WARRANTY AS MAY BE AGREED BY PROPEX AND INDIVIDUAL CUSTOMERS. PROPEX SPECIFICALLY DISCLAIMS ALL OTHER WARRANTIES, EXPRESS OR IMPLIED, INCLUDING WITHOUT LIMITATION, WARRANTIES OF MERCHANTABILITY OR FITNESS FOR A PARTICULAR PURPOSE, OR ARISING FROM PROVISION OF SAMPLES, A COURSE OF DEALING OR USAGE OF TRADE.