

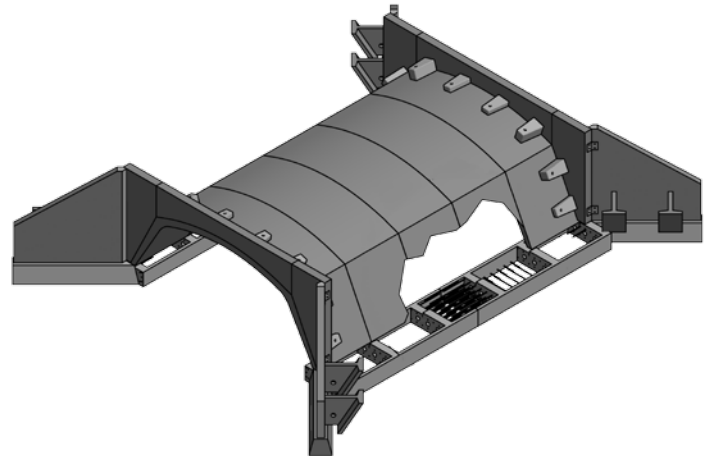


## MULTI-CELL STRUCTURES

Contech innovations continue to take precast buried bridge systems to the next level with the new optimized

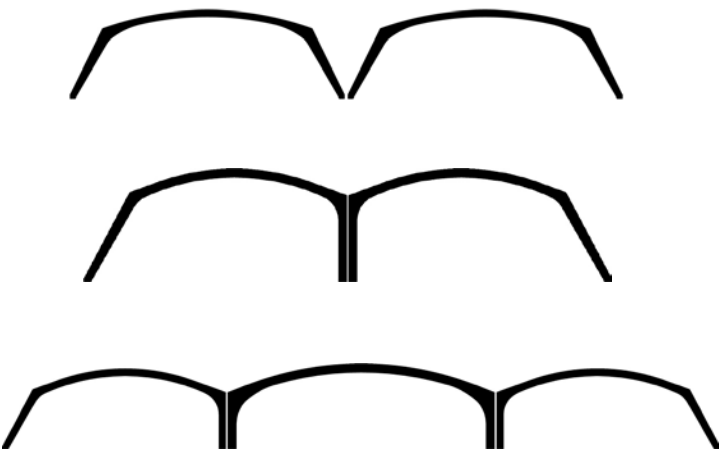
### CON/SPAN<sup>®</sup> O-Series<sup>®</sup> Multi-Cell Structures

Requiring less concrete per open area than other precast buried bridges, the O-Series Multi-Cell structures offer the ideal blend of hydraulic efficiency and structural capacity.



### Features & Benefits of the O-Series Multi-Cell Structures

- Complete system – precast foundations, units, headwalls and wingwalls
- Rapid installation
- Material savings – both concrete and steel
- Lighter piece weights or longer lay lengths for most projects
- Cost savings
- Lower maintenance cost
- Proven design methodology



Multiple configurations are designed to maximize the hydraulic efficiency for your site requirements while providing both cost and time savings.

## ACCELERATED BRIDGE CONSTRUCTION

ABC is bridge construction that uses innovative planning, design, materials and construction methods in a safe and cost-effective manner to reduce the onsite construction time that occurs when building new bridges or replacing and rehabilitating existing bridges.

### ABC improves

- Site constructability
- Total project delivery time
- Work-zone safety for the traveling public

### ABC reduces

- Traffic impacts
- Onsite construction time
- Weather-related time delays

