

DuroMaxx[®]
Rainwater Harvesting Cisterns



The experts you need to solve your stormwater challenges



Contech is the leader in stormwater solutions, helping engineers, contractors and owners with infrastructure and land development projects throughout North America.

With our responsive team of stormwater experts, local regulatory expertise and flexible solutions, Contech is the trusted partner you can count on for stormwater management solutions.

Your Contech Team



STORMWATER CONSULTANT

It's my job to recommend the best solution to meet permitting requirements.



STORMWATER DESIGN ENGINEER

I work with consultants to design the best approved solution to meet your project's needs.



REGULATORY MANAGER

I understand the local stormwater regulations and what solutions will be approved.



SALES ENGINEER

I make sure our solutions meet the needs of the contractor during construction.

Contech is your partner in stormwater management solutions



Cisterns for Stormwater Reuse and Runoff Reduction

Low Impact Development strives to eliminate runoff by promoting infiltration wherever practical. If your site has high groundwater, soils with low permeability, bedrock, or other limiting conditions, infiltration alone may not provide enough runoff reduction to meet regulations. That's why rainwater harvesting is an important tool to help meet runoff reduction requirements.

The DuroMaxx® Rainwater Harvesting Cistern helps achieve stormwater management goals by reducing stormwater runoff while providing cost savings through the reduction of potable water use.

We provided Yakult Manufacturing in Fountain Valley, California with two DuroMaxx® rainwater harvesting cisterns to capture and reuse runoff from rooftops, parking lots, and other impervious surfaces.

DuroMaxx®
STEEL REINFORCED PE TECHNOLOGY

DuroMaxx[®] Rainwater Harvesting Cisterns

Strength of steel and the durability of plastic ...

Our Rainwater Harvesting Cisterns are made from DuroMaxx Steel Reinforced Polyethylene (SRPE). The eighty (80) ksi steel reinforcing ribs provide the strength and pressure rated polyethylene (PE) resin provides the durability. The combination of materials results in an extraordinarily strong and durable below ground cistern.

- Available up to 120" diameter
- Includes prefabricated access points
- Lightweight - easily handled and quickly installed, often without the use of heavy construction equipment
- H-25 traffic rated design

DuroMaxx Rainwater Harvesting Cisterns have been certified to be in compliance with the Uniform Plumbing Code (UPC[®]) by The International Association of Plumbing and Mechanical Officials (IAPMO) Research and Testing. The DuroMaxx Rainwater Harvesting Cistern is also approved by Los Angeles City and has a research report number (RR 5726).

Engineers can now write specifications for rainwater harvesting cisterns based on a nationally recognized standard that address issues such as structural design, leakage, and repeatable manufacturing processes. Contech is one of the few companies that have received IAPMO/UPC certification for rainwater harvesting cisterns.



Contech is one of the few companies that
have received IAPMO/UPC certification
for rainwater harvesting cisterns.

A 182,000 gallon DuroMaxx rainwater harvesting cistern was used at the Oceano Apartments in Woodland Hills, California to meet runoff reduction goals at this 3.57 acre site.

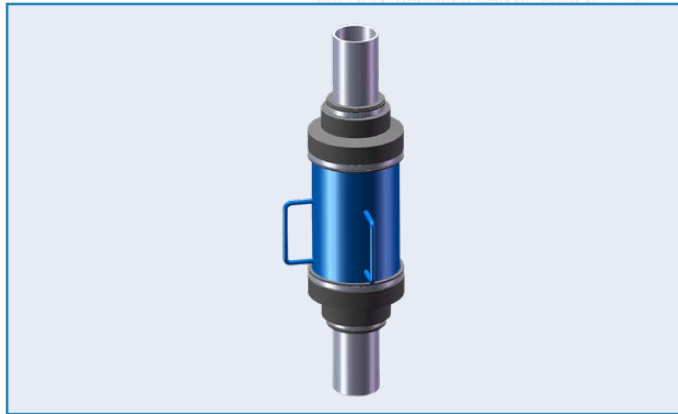
Learn More:
www.ContechES.com/rwh

Pretreating harvested water protects pumps, filters, & fixtures from damage



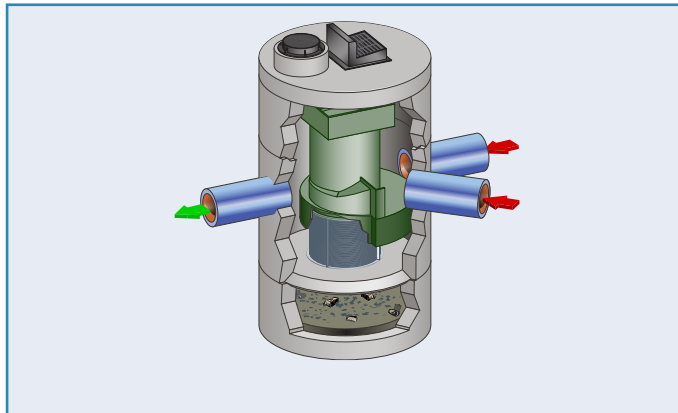
APPLICATION TIPS

- Pretreating rainwater harvesting cisterns protects downstream pumps, filters, and fixtures from damage or clogging, and lowers cleaning and maintenance costs by keeping pollutants out of the cistern and mechanical system. Contech offers a number of pretreatment devices including BioClean Downspout Filter and CDS.
- For best performance, all rainwater harvesting cisterns should be leak tested and results documented using a positive pressure air test.
- All rainwater harvesting cisterns should include an inlet calming device that will introduce water to the cistern with little to no turbulence.



Downspout Filter

The BioClean® Downspout Filter is the industry's leading solution for treatment of roof runoff. The Downspout Filter removes and retains debris, metals, 93% of TSS, and 87% of hydrocarbons. This technology is used to treat commercial and industrial rooftops along with high rise buildings, parking structures, and residential buildings. Available in four sizes, this filter can easily adapt to downspouts 2" to 10" in diameter.

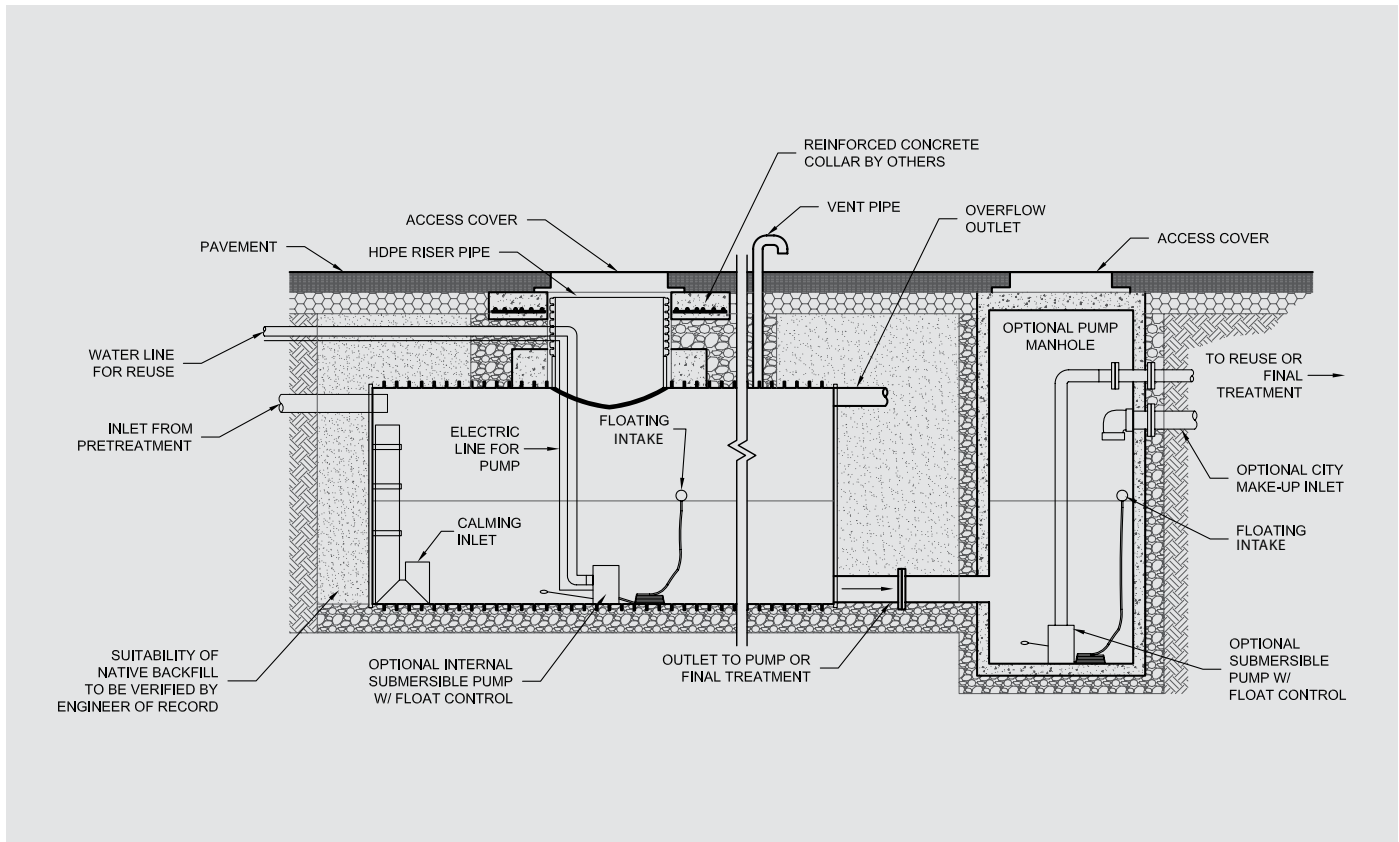


The CDS® hydrodynamic separator is the preferred rainwater harvesting pretreatment device. CDS is an underground stormwater treatment device that uses swirl concentration and continuous deflective separation to screen, separate and trap trash, debris, sediment, and hydrocarbons from runoff.

Learn More:

www.ContechES.com/cds

Typical Underground Cistern Components



DuroMaxx® Rainwater Harvesting Cistern Certifications

- IAPMO IGC 329 Certified
- Uniform Plumbing Code (UPC®)
- City of Los Angeles RR Approval RR 5726

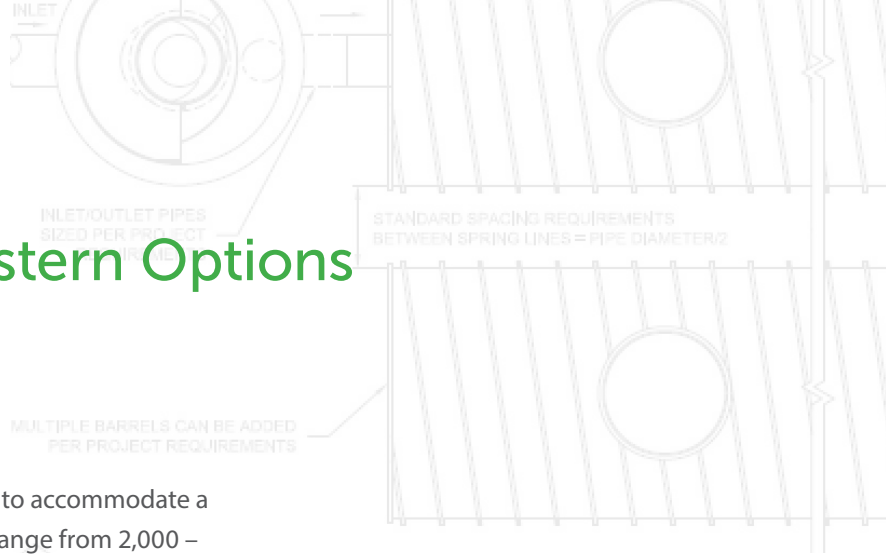
Multiple cistern layouts are available. All cisterns are tested for watertightness prior to shipment.

Each DuroMaxx Rainwater Harvesting Cistern is custom built per the site requirements.

From inlet and outlet stub placement and size to access riser height, each cistern is designed to fit the site and provide the most economical storage solution.

Each cistern is ready to accept internal components such as pumps and level sensors or these components can be placed in a downstream wet well. Contech Design Engineers can also assist in designing each cistern to help you meet local requirements.

Rainwater Harvesting Cistern Options



Cistern sizes for every site ...

Contech offers a variety of standard cistern sizes designed to accommodate a variety of storage requirements. Cistern storage volumes range from 2,000 – 22,500 gallons, and multiple cisterns can be connected using a small diameter manifold. Custom cistern sizes are also available.

NOMINAL VOLUME (GAL)	NOMINAL DIAMETER (IN)	LENGTH (FT)	PICK WEIGHT (LB)	TOTAL VOLUME (GAL)
2,000	60	16	1,250	2,280
3,000		24	1,750	3,420
4,500		32	2,000	4,560
6,500		48	2,750	6,840
3,000		72	16	1,750
4,500	24		2,250	4,922
6,500	32		2,750	6,563
9,500	48		4,000	9,844
4,000	84	16	2,250	4,465
6,500		24	2,750	6,697
8,500		32	3,250	8,929
13,000		48	4,500	13,394
5,500	96	16	2,500	5,830
8,500		24	3,250	8,744
11,500		32	4,000	11,659
17,000		48	5,250	17,489
14,000	108	30	4,250	14,277
19,000		40	5,250	19,036
16,500	120	29	4,750	16,503
20,000		36	5,500	20,486
22,500		40	6,000	22,762

* Custom cistern sizes available. Please contact Contech at 800-338-1122.

A partner you can rely on



STORMWATER
SOLUTIONS



PIPE
SOLUTIONS



STRUCTURES
SOLUTIONS

Few companies offer the wide range of high-quality stormwater resources you can find with us — state-of-the-art products, decades of expertise, and all the maintenance support you need to operate your system cost-effectively.

THE CONTECH WAY

Contech® Engineered Solutions provides innovative, cost-effective site solutions to engineers, contractors, and developers on projects across North America. Our portfolio includes bridges, drainage, erosion control, retaining wall, sanitary sewer and stormwater management products.

TAKE THE NEXT STEP

For more information: www.ContechES.com

NOTHING IN THIS CATALOG SHOULD BE CONSTRUED AS A WARRANTY. APPLICATIONS SUGGESTED HEREIN ARE DESCRIBED ONLY TO HELP READERS MAKE THEIR OWN EVALUATIONS AND DECISIONS, AND ARE NEITHER GUARANTEES NOR WARRANTIES OF SUITABILITY FOR ANY APPLICATION. CONTECH MAKES NO WARRANTY WHATSOEVER, EXPRESS OR IMPLIED, RELATED TO THE APPLICATIONS, MATERIALS, COATINGS, OR PRODUCTS DISCUSSED HEREIN. ALL IMPLIED WARRANTIES OF MERCHANTABILITY AND ALL IMPLIED WARRANTIES OF FITNESS FOR ANY PARTICULAR PURPOSE ARE DISCLAIMED BY CONTECH. SEE CONTECH'S CONDITIONS OF SALE (AVAILABLE AT WWW.CONTECHES.COM/COS) FOR MORE INFORMATION.

CONTECH[®]
ENGINEERED SOLUTIONS

Get social with us: 
800-338-1122 | www.ContechES.com