

A-2000™ PVC Pipe Fittings and Components



General Notes

1. * Indicates a fabricated part.
2. ** Indicates a molded part with bushing or adaptor.
3. All drawings herein are for illustrative purposes only and are not intended as true representations of actual parts.
4. This catalog contains the most commonly used A-2000™ fittings and components. Additional A-2000 parts not shown may be available from Contech Engineered Solutions LLC. Contact your local Contech Plastic Pipe Specialist about items not listed.
5. All saddles include templates and stainless steel bands. Adhesives or gaskets are not included and must be ordered separately.

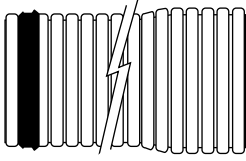
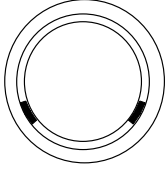
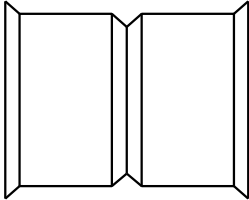


Joining A-2000 gasketed PVC pipe and fittings

(ASTM D3212)

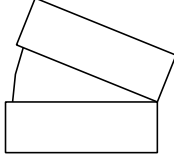
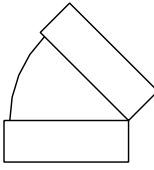
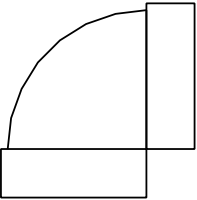
Lubrication Requirements (Joints per Gallon)	
Pipe Size (inches)	Lubricant
4	300
6	220
8	100
10	64
12	48
15	25
18	20
21	16
24	11
30	7
36	5




A-2000 Pipe

Type	Available Sizes (inches)	Part Number	
 <p>Pipe</p>	4	A2PG041250	
	6	A2PG061250	
	8	A2PG081250	
	10	A2PG101250	
	12	A2PG121250	
	15	A2PG151250	
	18	A2PG181250	
	21	A2PG211300	
	24	A2PG241300	
	30	A2PG301300	
	36	A2PG361300	
	 <p>Perforated Pipe</p> <p>Same as above. 4" thru 18" pipe is slotted. 21" through 36" pipe has 3/8" holes.</p>	4	A2PG041250P
		6	A2PG061250P
8		A2PG081250P	
10		A2PG101250P	
12		A2PG121250P	
15		A2PG151250P	
18		A2PG181250P	
21		A2PG211250P	
24		A2PG241300P	
30		A2PG301300P	
 <p>1/4 Bend (Bell-Bell)</p>	4	APG04CCS	
	6	APG06CCS	
	8	APG08CCS	
	10	APG10CCS	
	12	APG12CCS*	
	15	APG15CCS*	
	18	APG18CCS*	
	21	APG21CCS*	
	24	APG24CCS*	
	30	APG30CCS*	
 <p>Loose Coupling without Centerstop</p>	4	APG04C	
	6	APG06C	
	8	APG08C	
	10	APG10C	
	12	APG12C*	
	15	APG15C*	
	18	APG18C*	
	21	APG21C*	
	24	APG24C*	
	30	APG30C*	
 <p>Spigot Cap</p>	4	APG04SC	
	6	APG06SC	
	8	APG08SC	
	10	APG10SC	
	12	APG12SC*	
	15	APG15SC*	
	18	APG18SC*	
	21	APG21SC*	
24	APG24SC*		
30	APG30SC*		
36	APG36SC*		

Elbows


Type	Available Sizes (inches)	Part Number
 <p>1/16 Bend (Bell-Bell)</p>	4	APG04L22B
	6	APG06L22B
	8	APG08L22B*
	10	APG10L22B*
	12	APG12L22B*
	15	APG15L22B*
	18	APG18L22B*
	21	APG21L22B*
	24	APG24L22B*
	30	APG30L22B*
 <p>1/8 Bend (Bell-Bell)</p>	4	APG04L45B
	6	APG06L45B
	8	APG08L45B
	10	APG10L45B*
	12	APG12L45B*
	15	APG15L45B*
	18	APG18L45B*
	21	APG21L45B*
	24	APG24L45B*
	30	APG30L45B*
 <p>1/4 Bend (Bell-Bell)</p>	4	APG04L90B
	6	APG06L90B
	8	APG08L90B
	10	APG10L90B*
	12	APG12L90B*
	15	APG15L90B*
	18	APG18L90B*
	21	APG21L90B*
	24	APG24L90B*
	30	APG30L90B*
36	APG36L90B*	

Gaskets and Manhole Connectors


Type	Available Sizes (inches)	Part Number
	4	APG04G
	6	APG06G
	8	APG08G
	10	APG10G
	12	APG12G
	15	APG15G
	18	APG18G
	21	APG21G
	24	APG24G
	30	APG30G
36	APG36G	

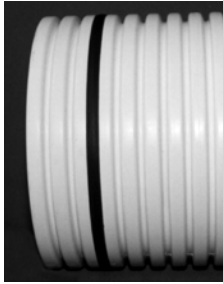
	4 PERF	APG04GO
	6 PERF	APG06GO

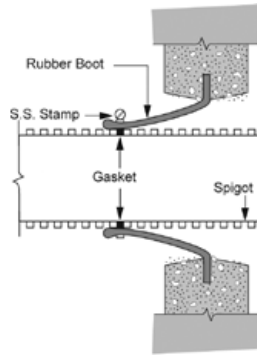
For 4" and 6" perforated pipe

	8 PERF	APG08GO
	10 PERF	APG10GO
	12 PERF	APG12GO
	15 PERF	APG15GO
	18 PERF	APG18GO
	21 PERF	APG21GO

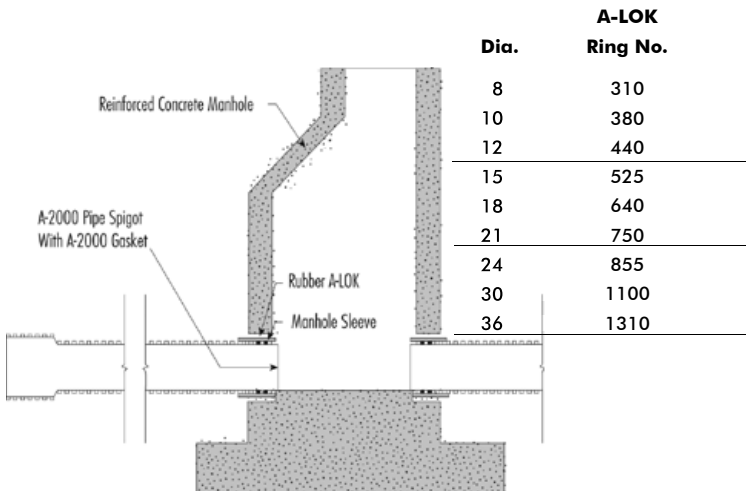
For 8" thru 36" perforated and drainage pipe

	8	APG08MHC
	10	APG10MHC
	12	APG12MHC
	15	APG15MHC
	18	APG18MHC
	21	APG21MHC
	24	APG24MHC
	30	APG30MHC
	36	APG36MHC

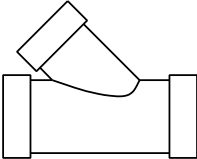
Type	Available Sizes (inches)		Part Number
	Diameter (inches)	Average Outside Diameter (inches)	
	4	4.30	APG04G
	6	6.42	APG06G
	8	8.60	APG08G
	10	10.79	APG10G
	12	12.80	PFAPG 12 GM
	15	15.66	PFAPG 15 GM
	18	19.15	PFAPG 18 GM
	21	22.59	PFAPG 21 GM
	24	25.58	PFAPG 24 GM
	30	32.15	PFAPG 30 GM
	36	38.74	PFAPG 36 GM

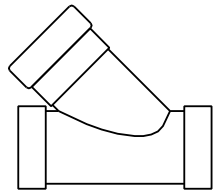


*For 21" diameter and larger pipe, the boot manufacturers recommend using two stainless steel clamp assemblies (with two screws per assembly) per boot. Clamps should be positioned evenly around the boot groove with the screws staggered so that the take-up pressure is equalized. Tighten screws of the outside clamp in an alternating pattern to the recommended torque on final screw. Check all screws again to ensure equal compression of both clamps.

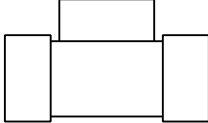


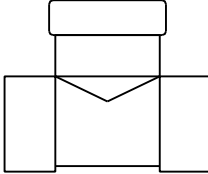
Wyes

Type	Available Sizes (inches)	Part Number
Reducing Inline Wye with A-2000 Branch	6x6x4	APG06YB4B
	8x8x4	APG08YB4B
	8x8x6	APG08YB6B*
	10x10x4	APG10YB4B*
	10x10x6	APG10YB6B*
	10x10x8	APG10YB8B*
	12x12x4	APG12YB4B*
	12x12x6	APG12YB6B*
	12x12x8	APG12YB8B*
	12x12x10	APG12YB10B*
	15x15x4	APG15YB4B*
	15x15x6	APG15YB6B*
	15x15x8	APG15YB8B*
	15x15x10	APG15YB10B*
	15x15x12	APG15YB12B*
	18x18x4	APG18YB4B*
	18x18x6	APG18YB6B*
	18x18x8	APG18YB8B*
	18x18x10	APG18YB10B*
	18x18x12	APG18YB12B*
	18x18x15	APG18YB15B*
	21x21x4	APG21YB4B*
	21x21x6	APG21YB4B*
	21x21x8	APG21YB8B*
	21x21x10	APG21YB10B*
	21x21x12	APG21YB10B*
	21x21x15	APG21YB15B*
	21x21x18	APG21YB18B*
	24x24x4	APG24YB4B*
	24x24x6	APG24YB6B*
	24x24x8	APG24YB8B*
	24x24x10	APG24YB10B*
	24x24x12	APG24YB12B*
24x24x15	APG24YB15B*	
24x24x18	APG24YB18B*	
24x24x21	APG24YB21B*	
30x30x4	APG30YB4B*	
30x30x6	APG30YB6B*	
30x30x8	APG30YB8B*	
30x30x10	APG30YB10B*	
30x30x12	APG30YB12B*	
30x30x15	APG30YB15B*	
30x30x18	APG30YB18B*	
30x30x21	APG30YB21B*	
30x30x24	APG30YB24B*	
36x36x4	APG36YB4B*	
36x36x6	APG36YB6B*	
36x36x8	APG36YB8B*	
36x36x10	APG36YB10B*	
36x36x12	APG36YB12B*	
36x36x15	APG36YB15B*	
36x36x18	APG36YB18B*	
36x36x21	APG36YB21B*	
36x36x24	APG36YB24B*	
36x36x30	APG36YB30B*	

Type	Available Sizes (inches)	Part Number
Non-Reducing Inline Wye with SDR35 Branch	4x4x4	APG04YB435 **
	6x6x6	APG06YB635 **
	6x6x4	APG06YB435 **
	8x8x4	APG08YB435 _
	8x8x6	APG08YB635 _
	10x10x4	APG10YB435 *
	10x10x6	APG10YB635 *
	12x12x4	APG12YB435 *
	12x12x6	APG12YB635 *
	15x15x4	APG15YB435 *
	15x15x6	APG15YB635 *
	18x18x4	APG18YB435 *
	18x18x6	APG18YB635 *
	21x21x4	APG21YB435 *
	21x21x6	APG21YB635 *
	24x24x4	APG24YB435 *
	24x24x6	APG24YB635 *
Reducing Inline Wye with A-2000 Branch	4x4x4	APG04TB4B
	6x6x6	APG06TB6B
	8x8x8	APG08TB8B
	10x10x10	APG10TB10B*
	12x12x12	APG12TB12B*
	15x15x15	APG15TB15B*
	18x18x18	APG18TB18B*
	21x21x21	APG21TB21B*
	24x24x24	APG24TB24B*
	30x30x30	APG30TB30B*
	36x36x36	APG36TB36B*

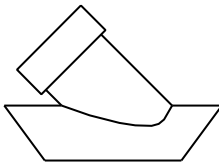
Tees

Type	Available Sizes (inches)	Part Number
Reducing Inline Tee with A-2000 Branch	6x6x4	APG06TB4B**
	8x8x4	APG08TB4B
	8x8x6	APG08TB6B
	10x10x4	APG10TB4B*
	10x10x6	APG10TB6B*
	10x10x8	APG10TB8B*
	12x12x4	APG12TB4B*
	12x12x6	APG12TB6B*
	12x12x8	APG12TB8B*
	12x12x10	APG12TB10B*
	15x15x4	APG15TB4B*
	15x15x6	APG15TB6B*
	15x15x8	APG15TB8B*
	15x15x10	APG15TB10B*
	15x15x12	APG15TB12B*
	18x18x4	APG18TB4B*
	18x18x6	APG18TB6B*
	18x18x8	APG18TB8B*
	18x18x10	APG18TB10B*
	18x18x12	APG18TB12B*
	18x18x15	APG18TB15B*
	21x21x4	APG24TB4B*
	21x21x6	APG24TB6B*
	21x21x8	APG24TB8B*
	21x21x10	APG24TB10B*
	21x21x12	APG24TB12B*
	21x21x15	APG24TB15B*
	21x21x18	APG24TB18B*
	24x24x4	APG24TB4B*
	24x24x6	APG24TB6B*
	24x24x8	APG24TB8B*
	24x24x10	APG24TB10B*
	24x24x12	APG24TB12B*
24x24x15	APG24TB15B*	
24x24x18	APG24TB18B*	
24x24x21	APG24TB21B*	
30x30x4	APG30TB4B*	
30x30x8	APG30TB6B*	
30x30x8	APG30TB8B*	
30x30x10	APG30TB10B*	
30x30x12	APG30TB12B*	
30x30x15	APG30TB15B*	
30x30x18	APG30YB18B*	
30x30x21	APG30YB21B*	
30x30x24	APG30YB24B*	
36x36x4	APG36TB4B*	
36x36x6	APG36TB6B*	
36x36x8	APG36TB8B*	
36x36x10	APG36TB10B*	
36x36x12	APG36TB12B*	
36x36x15	APG36TB15B*	
36x36x18	APG36YB18B*	
36x36x21	APG36YB21B*	
36x36x24	APG36YB24B*	
36x36x30	APG36YB30B*	

Type	Available Sizes (inches)	Part Number
Non-Reducing Inline Tee with SDR35 Branch	4x4x4	APG04TB435**
	6x6x6	APG06TB635**
	6x6x4	APG06TB435_**
	8x8x4	APB08TB435_
	8x8x6	APG08TB635_
	10x10x4	APG10TB435_*
	10x10x6	APG10TB635_*
	12x12x4	APG12TB435_*
	12x12x6	APG12TB635_*
	15x15x4	APG15TB435_*
	15x15x6	APG15TB635_*
	18x18x4	APG18TB435_*
18x18x6	APG18TB635_*	
21x21x4	APG21TB435_*	
21x21x6	APG21TB635_*	
24x24x4	APG24TB435_*	
24x24x6	APG24TB635_*	
30x30x4	APG30TB435_*	
30x30x6	APG30TB635_**	
36x36x4	APG36TB435_*	
36x36x6	APG30TB635_*	
Tee Wye	8x8x4	APG08TY4*
	8x8x6	APG08TY6*
	10x10x4	APG10TY4*
	10x10x6	APG10TY6*
	12x12x4	APG12TY4*
	12x12x6	APG12TY6*
Non-Reducing Inline Tee with A-2000 Branch	4x4x4	APG04TB4B
	6x6x6	APG06TB6B
	8x8x8	APG08TB8B
	10x10x10	APG10TB10B*
	12x12x12	APG12TB12B*
	15x15x15	APG15TB15B*
	18x18x18	APG18TB18B*
	21x21x21	APG21TB21B*
	24x24x24	APG24TB24B*
	30x30x30	APG30TB30B*
36x36x36	APG36TB36B*	

Saddle Wyes

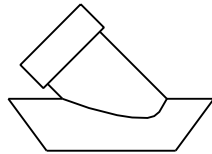
Type	Available Sizes (inches)	Part Number
Smooth Wye SDR35 Branch	6x4	APX06Y435B__**
	8x4	APX08Y435B__**
	8x6	APX08Y635B__**
	10x4	APX10Y435B__**
	10x6	APX10Y635B__**
	12x4	APX12Y435B__**
	12x6	APX12Y635B__**
	15x4	APX15Y435B__**
	15x6	APX15Y635B__**
	18x4	APX18Y435B__**
	18x6	APX18Y635B__**



Note:
 1. __ must be filled in to indicate type of branch joint.
 G = Gasketed
 S = Solvent Weld

- Notes:
- Saddles are available in 6" thru 18" diameters.
 - Saddles include templates and stainless steel bands. Adhesive or gaskets are not included and must be ordered separately.

Saddle Wye
A-2000 Branch

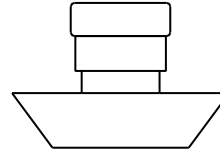


6x4	APX06Y4**
8x4	APX08Y4**
8x6	APX08Y6
10x4	APX10Y4**
10x6	APX10Y6
12x4	APX12Y4**
12x6	APX12Y6**
15x4	APX15Y4**
15x6	APX15Y6**
18x4	APX18Y4**
18x6	APX18Y6**

- Notes:
- Saddles are available in 6" thru 36" diameters.
 - All saddles include templates and stainless steel bands. Adhesive or gaskets are not included and must be ordered separately.

Saddle Tees

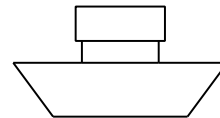
Type	Available Sizes (inches)	Part Number
Saddle Tee SDR35 Branch	6x4	APX06T435B__
	8x4	APX08T435B__**
	8x6	APX08T635B__**
	10x4	APX10T435B__**
	10x6	APX10T635B__**
	12x4	APX12T435B__**
	12x6	APX12T635B__**
	15x4	APX15T435B__**
	15x6	APX15T635B__**
	18x4	APX18T435B__**
	18x6	APX18T635B__**
	21x4	APX215435B__**
	21x6	APX21T635B__**
	24x4	APX24T435B__**
	24x6	APX245635B__**
	30x4	APX30T435B__**
	30x6	APX30T635B__**
	36x4	APX36T435B__**
	36x6	APX36T635B__**



- Notes:
- Saddles are available in 6" thru 36" diameters.
 - Saddles include templates and stainless steel bands. Adhesive or gaskets are not included and must be ordered separately.

Note:
 1. __ must be filled in to indicate type of branch joint.
 G = Gasketed
 S = Solvent Weld

Saddle Tee
A-2000 Branch



6x4	APX06T4B**
8x4	APX08T4B**
8x6	APX08T6B
10x4	APX10T4B**
10x6	APX10T6B
12x4	APX12T4B**
12x6	APX12T6B**
15x4	APX15T4B**
15x6	APX15T6B**
15x8	APX15T8B*
18x4	APX18T4B**
18x6	APX18T6B**
21x4	APX21T4B**
21x6	APX21T6B**
24x4	APX24T4B**
24x6	APX24T6B**
30x4	APX30T4B**
30x6	APX30T6B**
36x4	APX36T4B**
36x6	APX36T6B**

- Notes:
- Saddles are available in 6" thru 36" diameters.
 - All saddles include templates and stainless steel bands. Adhesive or gaskets are not included and must be ordered separately.

Saddle Adhesive Caulking

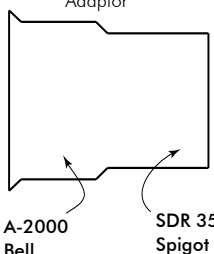


CPSC

Tubes (SIKAFLEX 221)
 (RAPIDSEAL 365)

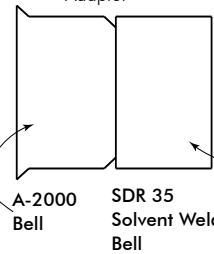
Adaptors

Type	Available Sizes (inches)	Part Number
A-2000 Bell/SDR35 Spigot Adaptor	4	APG0435S*
	6	APG0635S*
	8	APG0835S*
	10	APG1035S*
	12	APG1235S*
	15	APG1535S*
	18	APG1835S*
	21	APG2135S*
	24	APG2435S*
	30	APG3035S*
	36	APG3635S*



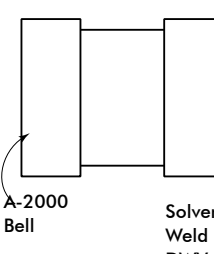
A-2000 Bell SDR 35 Spigot

A-2000 Bell/SDR35 Bell Adaptor	4	APB0435BS*
	6	APB0635BS*



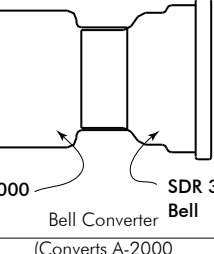
A-2000 Bell SDR 35 Solvent Weld Bell

A-2000 Bell/DWV Bell Adaptor	4	APG04DWV*
	6	APG06DWV*



A-2000 Bell Solvent Weld DWV Bell

A-2000 Bell Adaptor (to SDR35 Gasketed Bell)	4	APG04AD35BG*
	6	APG06AD35BG*

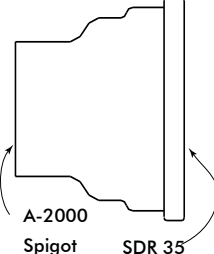


A-2000 Bell SDR 35 Bell

Bell Converter

(Converts A-2000 Bell to SDR35 Gasketed Bell)

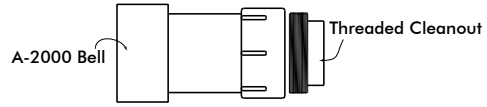
A-2000 Spigot Adaptor (to SDR35 Bell)	4	APS04BC35BG*
	6	APS06BC35BG*



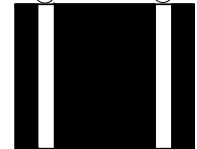
A-2000 Spigot SDR 35 Bell

Coupling/Caps

Type	Available Sizes (inches)	Part Number
Cleanout and Cap	4	APG04CLN**
	6	APG06CLN**



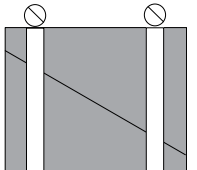
Repair Coupling (Fernco Type 1056)	4	004FCA
	6	006FCA
	8	008FCA
	10	010FCA
	12	012FCA
	15	015FCA
	18	018FCA
	21	021FCA
	24	024FCA
	30	030FCA
	36	036FCA



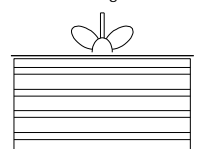
Stainless Steel Straps

Note: 12" and larger Fernco couplings are not inventoried and are available on special order.

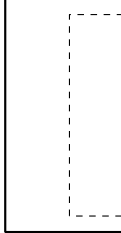
Shear Stop for Repair Coupling	4	004CRP*
	6	006CRP*
	8	008CRP*
	10	010CRP*
	12	012CRP*
	15	015CRP*
	18	P18CRP*

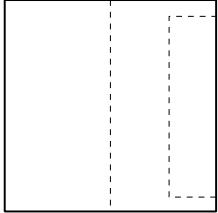


Mechanical Plug	4	04MP
	6	06MP

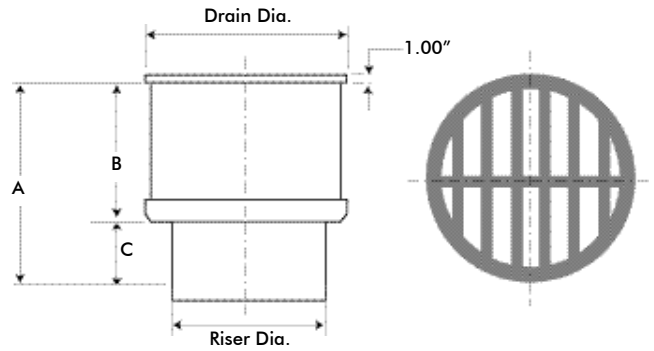
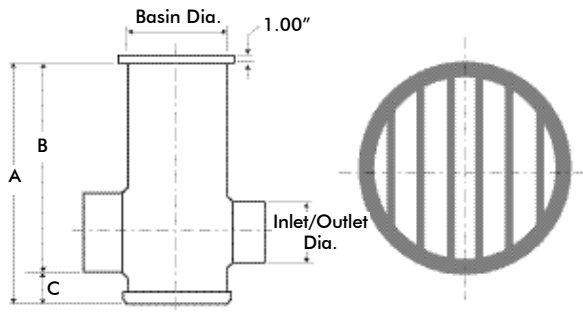


Bushings

Type	Available Sizes (inches)	Part Number
Bushing (Spigot x Bell) 	6 x 4	APG06BU4
	8 x 4	APG08BU4**
	8 x 6	APG08BU6
	10 x 4	APG10BU4*
	10 x 6	APG10BU6*
	10 x 8	APG10BU8*
	12 x 4	APG12BU4*
	12 x 6	APG12BU6*
	12 x 8	APG12BU8*
	12 x 10	APG12BU10*
	15 x 4	APG15BU4*
	15 x 6	APG15BU6*
	15 x 8	APG15BU8*
	15 x 10	APG15BU10*
	15 x 12	APG15BU12*
	18 x 4	APG18BU4*
	18 x 6	APG18BU6*
	18 x 8	APG18BU8*
	18 x 10	APG18BU10*
	18 x 12	APG18BU12*
	18 x 15	APG18BU15*
	21 x 4	APG21BU4*
	21 x 6	APG21BU6*
	21 x 8	APG21BU8*
	21 x 10	APG21BU10*
	21 x 12	APG21BU12*
	21 x 15	APG21BU15*
	21 x 18	APG21BU18*
	24 x 4	APG24BU4*
	24 x 6	APG24BU6*
	24 x 8	APG24BU8*
	24 x 10	APG24BU10*
	24 x 12	APG24BU12*
	24 x 15	APG24BU15*
	24 x 18	APG24BU18*
	24 x 21	APG24BU21*
30 x 4	APG30BU4*	
30 x 6	APG30BU6*	
30 x 8	APG30BU8*	
30 x 10	APG30BU10*	
30 x 12	APG30BU12*	
30 x 15	APG30BU15*	
30 x 18	APG30BU18*	
30 x 21	APG24BU21*	
30 X 24	APG30BU24*	
36 x 4	APG36BU4*	
36 x 6	APG36BU6*	
36 x 8	APG36BU8*	
36 x 10	APG36BU10*	
36 x 12	APG36BU12*	
36 x 15	APG36BU15*	
36 x 18	APG36BU18*	
36 x 21	APG36BU21*	
36 x 24	APG36BU24*	
36 x 30	APG36BU30*	

Type	Available Sizes (inches)	Part Number
Bushed Reducer (Bell/Bell) 	6 x 4	APG06BR4**
	8 x 4	APG08BR4**
	8 x 6	APG08BR6**
	10 x 4	APG10BR4*
	10 x 6	APG10BR6*
	10 x 8	APG10BR8*
	12 x 4	APG12BR4*
	12 x 6	APG12BR6*
	12 x 8	APG12BR8*
	12 x 10	APG12BR10*
	15 x 4	APG15BR4*
	15 x 6	APG15BR6*
	15 x 8	APG15BR8*
	15 x 10	APG15BR10*
	15 x 12	APG15BR12*
	18 x 4	APG18BR4*
	18 x 6	APG18BR6*
	18 x 8	APG18BR8*
	18 x 10	APG18BR10*
	18 x 12	APG18BR12*
	18 x 15	APG18BR15*
	21 x 4	APG21BR4*
	21 x 6	APG21BR6*
	21 x 8	APG21BR8*
	21 x 10	APG21BR10*
	21 x 12	APG21BR12*
	21 x 15	APG21BR15*
	21 x 18	APG21BR18*
	24 x 4	APG24BR4*
	24 x 6	APG24BR6*
	24 x 8	APG24BR8*
	24 x 10	APG24BR10*
	24 x 12	APG24BR12*
	24 x 15	APG24BR15*
	24 x 18	APG24BR18*
	24 x 21	APG24BR21*
30 x 4	APG30BR4*	
30 x 6	APG30BR6*	
30 x 8	APG30BR8*	
30 x 10	APG30BR10*	
30 x 12	APG30BR12*	
30 x 15	APG30BR15*	
30 x 18	APG30BR18*	
30 x 21	APG30BR21*	
30 x 24	APG30BR24*	
36 x 4	APG36BR4*	
36 x 6	APG36BR6*	
36 x 8	APG36BR8*	
36 x 10	APG36BR10*	
36 x 12	APG36BR12*	
36 x 15	APG36BR15*	
36 x 18	APG36BR18*	
36 x 21	APG36BR21*	
36 x 24	APG36BR24*	
36 x 30	APG36BR30*	

Drain Basins and Inline Drains



Drain Basin				
Basin Diameter (inches)	Inlet/Outlet Diameter (4) (inches)	A	B	C (2) (inches)
8	4-8	(1)	(1)	6.0
10	4-10	(1)	(1)	6.0
12	4-12	(1)	(1)	6.0
15	4-15	(1)	(1)	6.0
18	4-18	(1)	(1)	6.0
21	4-21	(1)	(1)	6.0
24	4-24	(1)	(1)	6.0
27	4-27	(1)	(1)	8.0
30	4-30	(1)	(1)	8.0
36	4-30	(1)	(1)	8.0

Inline Drain			
Drain Diameter (inches)	Riser Diameter (1) (inches)	B (inches)	C (2)
8	4	12.25	(2)
10	4-6	12.25	(2)
12	4-8	12.50	(2)
15	4-10	12.50	(2)
18	4-12	12.75	(2)
21	4-15	12.75	(2)
24	4-18	12.75	(2)
27	4-21	13.00	(2)
30	4-24	13.00	(2)
36	4-30	13.00	(2)

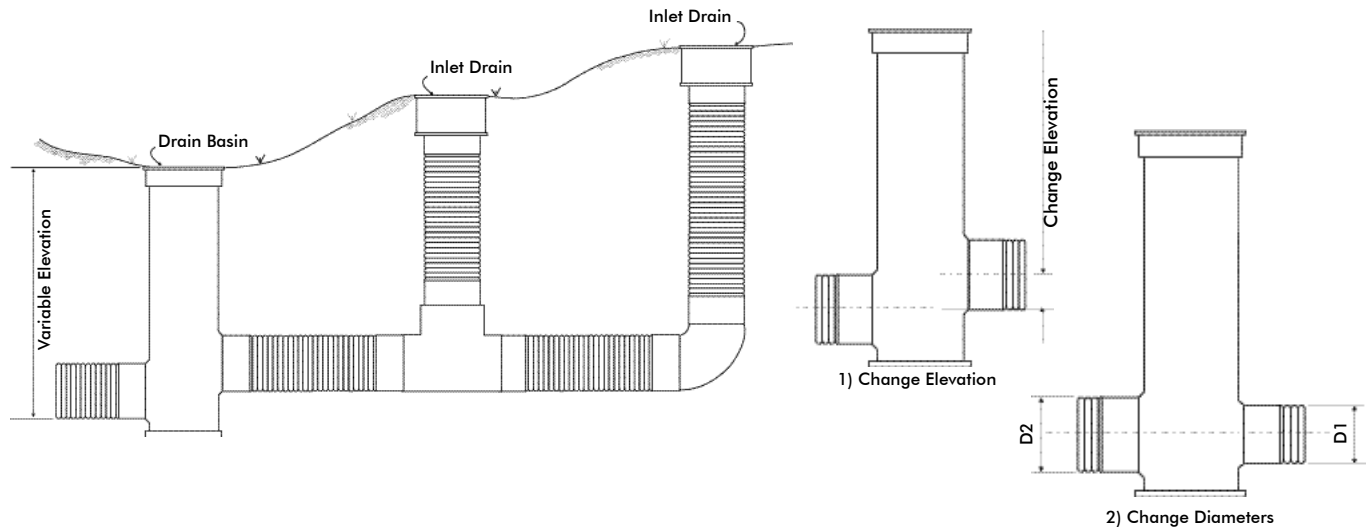
NOTES: (1) Variable elevations available. (2) Values shown are minimum.
 (3) A, B or C dimensions (for each inlet/outlet) must be provided when ordering.

NOTES: (1) Must be equal to or smaller than sewer diameter.
 (2) This fixed dimension varies depending on drain and riser diameters.

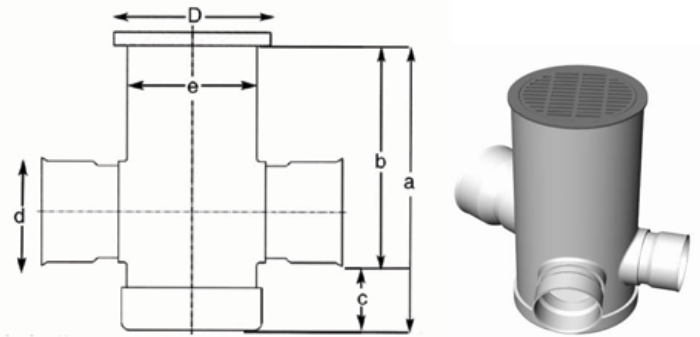
Grate Options

<p>8" & 10" Grates All 8" and 10" are ductile iron drop-in grates</p> <p>Open Area: (sq. inches): 8" - 18 10" - 29</p> <p>Standard H-20 Rated</p> <p>Open Area: (sq. inches): 8" - 18 10" - 29</p> <p>Pedestrian H-10 Rated</p> <p>Open Area: (sq. inches): 8" - 20 10" - 29</p> <p>Domed</p>	<p>12" & 15" Grates All 12" and 15" are cast iron square hinged grates</p> <p>Open Area: (sq. inches): 12" - 64 15" - 95</p> <p>Standard H-20 Rated</p> <p>Open Area: (sq. inches): 12" - 61 15" - 95</p> <p>Pedestrian H-10 Rated</p> <p>Solid</p>	<p>18" & 36" Grates All 18" thru 36" are round ductile iron grates with collars</p> <p>Open Area: (sq. inches): 18" - 62 24" - 122 30" - 206 36" - 403</p> <p>Standard H-20 Rated Heavy Duty</p> <p>Open Area: (sq. inches): 18" - 62 24" - 122</p> <p>Pedestrian H-10 Rated 18" & 24" only</p> <p>Solid</p>
--	--	---

The illustrations below show a typical installation of a Contech Drain Basin and Inline Drain.



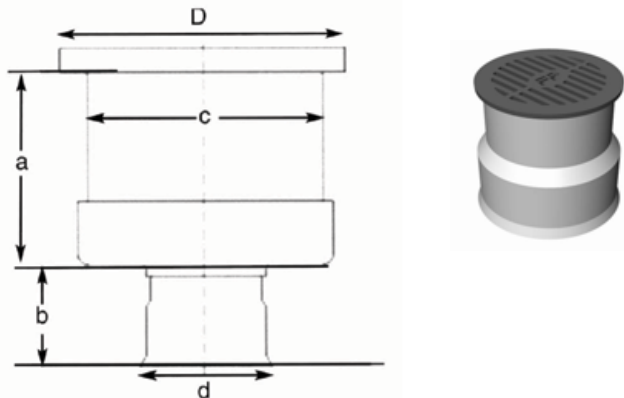
Drain Basins				
(D) Drain Size	(d) Outlet Range	(a) Std. Height	(e) Drain I.D.	(c) Min.
8	4-8"	18"	7.90"	4"
10	4-10"	20"	9.86"	4"
12	4-12"	24"	11.75"	6"
15	4-15"	30"	14.37"	6"
18	4-18"	34"	17.56"	6"
21	4-21"	36"	20.70"	6"
24	4-24"	36"	24.02"	6"
30	4-30"	42"	29.64"	8"
36	4-36"	48"	37.00"	8"



Drain Basin

Inline Drains				
(D) Drain Size	(d) Outlet Size	(a) Body Height	(b) Outlet Height	(c) Drain I.D.
8"	4"	9.00"	4.0"	7.90"
8"	6"	5.50"	4.5"	7.90"
10"	4"	9.00"	4.0"	9.86"
10"	6"	9.00"	4.5"	9.86"
10"	8"	6.50"	5.5"	9.86"
12"	4"	10.00"	4.0"	11.75"
12"	6"	10.00"	4.5"	11.75"
12"	8"	10.00"	5.5"	11.75"
12"	10"	10.00"	6.5"	11.75"
12"	12"	6.50"	7.5"	11.75"
15"	4"	10.00"	4.0"	14.37
15"	6"	10.00"	4.5"	14.37"
15"	8"	10.00"	5.5"	14.37"
15"	10"	10.00"	6.5"	14.37"
15"	12"	10.00"	7.5"	14.37"
15"	15"	6.50"	8.5"	14.37"
18"	4"	12.00"	4.0"	17.56"
18"	6"	12.00"	4.5"	17.56"
18"	8"	12.00"	5.5"	17.56"
18"	10"	12.00"	6.5"	17.56"
18"	12"	12.00"	7.5"	17.56"
18"	15"	12.00"	8.5"	17.56"
18"	18"	12.00"	10.5"	17.56"
21"	4"	12.00"	4.0"	20.70"
21"	6"	12.00"	4.5"	20.70"
21"	8"	12.00"	5.5"	20.70"
21"	10"	12.00"	6.5"	20.70"
21"	12"	12.00"	7.5"	20.70"
21"	15"	12.00"	8.5"	20.70"
21"	18"	12.00"	10.5"	20.70"
21"	21"	12.00"	11.0"	20.70"
24"	4"	12.00"	4.0"	24.02"
24"	6"	12.00"	4.5"	24.02"
24"	8"	12.00"	5.5"	24.02"
24"	10"	12.00"	6.5"	24.02"
24"	12"	12.00"	7.5"	24.02"
24"	15"	12.00"	8.5"	24.02"
24"	18"	12.00"	10.5"	24.02"
24"	21"	12.00"	11.0"	24.02"
24"	24"	12.00"	12.0"	24.02"

Inline Drains				
(D) Drain Size	(d) Outlet Size	(a) Body Height	(b) Outlet Height	(c) Drain I.D.
30"	4"	12.00"	4.0"	29.64"
30"	6"	12.00"	4.5"	29.64"
30"	8"	12.00"	5.5"	29.64"
30"	10"	12.00"	6.5"	29.64"
30"	12"	12.00"	7.5"	29.64"
30"	15"	12.00"	8.5"	29.64"
30"	18"	12.00"	10.5"	29.64"
30"	21"	12.00"	11.0"	29.64"
30"	24"	12.00"	12.0"	29.64"
30"	30"	12.00"	16.0"	29.64"
36"	4"	12.00"	4.0"	37.00"
36"	6"	12.00"	4.5"	37.00"
36"	8"	12.00"	5.5"	37.00"
36"	10"	12.00"	6.5"	37.00"
36"	12"	12.00"	7.5"	37.00"
36"	15"	12.00"	8.5"	37.00"
36"	18"	12.00"	10.5"	37.00"
36"	21"	12.00"	11.0"	37.00"
36"	24"	12.00"	12.0"	37.00"
36"	30"	12.00"	16.0"	37.00"
36"	36"	12.00"	16.0"	37.00"



Inline Drain

Contech A-2000™ products

A2™ Liner Pipe for rehabilitating aging structures

Using the proven double wall A-2000 design, Contech developed A2 Liner Pipe for sliplining deteriorating pipelines, eliminating the need for disruptive open trench replacement.

A2™ Casing Liner Pipe for crossing under highways/railroads

Crossing under a highway or railroad is common with new sanitary or storm sewer construction. Typically, crossings are accomplished by boring and installing a casing pipe. The sewer (carrier) pipe is then installed inside the casing.

By using the “no-bell,” constant outside diameter design of A2 Liner Pipe for the carrier pipe, downsizing of the casing can result in a significant cost saving. In addition, A2 Liner Pipe can be supplied with runners (spacers) already attached, eliminating the need and cost to attach them in the field.

A-2000™ perforated pipe for subdrainage systems

Contech A-2000 perforated pipe (4”-36” diameters) has several important features that make it the designer’s first choice for subsurface drainage systems:

- 46 psi pipe stiffness for deflection control.
- Smooth interior for improved hydraulic capacity.
- Double wall design that provides essential beam strength for improved alignment and installation grade control.
- Positive gasketed jointing system.

Contech Engineered Solutions LLC provides site solutions for the civil engineering industry. Contech’s portfolio includes bridges, drainage, sanitary sewer, stormwater, earth stabilization and wastewater treatment products.

For more information, call one of Contech’s Regional Offices located in the following cities:

Ohio (Corporate Office)	513-645-7000
Colorado (Denver)	720-587-2700
Florida (Orlando)	321-348-3520
Maine (Scarborough)	207-885-9830
Maryland (Baltimore)	410-740-8490
Oregon (Portland)	503-258-3180
Texas (Dallas)	972-590-2000

**Visit our web site: www.ContechES.com
800.338.1122**

A-2000™ Drainage Pipe

Contech PVC double-wall pipe is the latest in drainage pipe technology and engineering design. A-2000 Drainage Pipe, available in 12”-36” diameters, combines the proven durability and corrosion resistance of PVC, plus a smoother interior for improved hydraulics, tight rubber gasketed joints, light weight and long lengths (20’) for easier handling and less costly installation.

Contech A-2000 Storm Sewer Pipe is manufactured per ASTM F949, F794 and AASHTO M304. When designed in accordance with AASHTO LRFD Section 12 methodology and using 50-year material properties with Class I or Class II backfill per ASTM D2321 compacted to 95% standard Proctor density, the maximum allowable heights of cover for A-2000 exceed 50’ while the minimum cover for highway loading is 12”.

Contech products can solve most sewer or drainage problems. Their strength, durability and economy are proven with nearly a century of research and field performance.

A-2000™ PVC Pipe for Sanitary Sewers

A-2000 is a seamless profile wall pipe extruded with a smooth interior and corrugated exterior. Made from polyvinyl chloride (PVC) compound, 12454, the most widely accepted sewer pipe material, A-2000 provides excellent durability and resistance to abrasion and scour. It withstands corrosive attack from both acidic and alkaline soils and is unaffected by chemicals found in normal sewage.

Engineered for gravity flow applications to installed depths exceeding 30 feet*, A-2000 should be specified whenever you consider using PVC sewer pipe. It has passed rigorous testing and meets the requirements of ASTM Specifications F949 and F794.

Your Local Sales Office is:

NOTHING IN THIS CATALOG SHOULD BE CONSTRUED AS AN EXPRESSED WARRANTY OR AN IMPLIED WARRANTY OF MERCHANTABILITY OR FITNESS FOR ANY PARTICULAR PURPOSE. SEE THE CONTECH STANDARD CONDITIONS OF SALE (VIEWABLE AT WWW.CONTECHES.COM/COS) FOR MORE INFORMATION.

A-2000 is manufactured under U.S. patent numbers 4,702,502; 4,846,660 and 5,124,109